

**xtop**

**Premium Quality** Brake system. Sistema de freno

# Balatas Para Disco y Tambor

*Cerámica / Híbrida / Semimetálica*

(BAJOS METALES)



Escanea QR  
y descubre +

# CATALOGO

# 2022

**CODIGO FMSI POSICION PAGINA**

XCD0340	D340-7234	TRASERA	
XCD0465	D465-7573	DELANTERA	
XCD0510	D510-7389	DELANTERA	
XCD0688	D688-7563	DELANTERA	
XCD0768A	D768-7709	DELANTERA	
XCD0815	D815-7783	DELANTERA	
XCD0828	D828-7701	TRASERA	
XCD0866	D866-7741	DELANTERA	
XCD0905	D905-7784	TRASERA	
XCD0906	D906-7896	DELANTERA	
XCD0923	D923-7824	DELANTERA	
XCD0967	D967-7869	TRASERA	
XCD0974	D974-7875	TRASERA	
XCD0995	D995-7895	TRASERA	
XCD1011	D1011-7915	DELANTERA	
XCD1035	D1035-7779	DELANTERA	
XCD1037	D1037-7940	TRASERA	
XCD1044	D1044-7947	DELANTERA	
XCD1047	D1047-8445	DELANTERA	
XCD1055	D1055-7961	TRASERA	
XCD1084	D1084-7991	DELANTERA	
XCD1086	D1086-7418	TRASERA	
XCD1089	D1089-7994	DELANTERA	
XCD1107	D1107-8212	DELANTERA	
XCD1161	D1161-8272	TRASERA	
XCD1164	D1164-8277	DELANTERA	
XCD1175	D1175-8289	DELANTERA	
XCD1184	D1184-8301	DELANTERA	
XCD1188	D1188-8307	DELANTERA	
XCD1191	D1191-8310	DELANTERA	
XCD1194	8312-D1194	TRASERA	
XCD1259	D1259-8378	TRASERA	
XCD1273	D1273-8389	DELANTERA	
XCD1274	D1274-8390	TRASERA	
XCD1275	D1275-8391	TRASERA	
XCD1295	D1295-8412	DELANTERA	
XCD1303	D1303-8419	DELANTERA	
XCD1304	D1304-8420	TRASERA	
XCD1321	D1321-8433	DELANTERA	
XCD1324	D1324-8436	DELANTERA	
XCD1344	D1344-8455	DELANTERA	
XCD1345	D1345-8456	DELANTERA	
XCD1363	D1363-8472	DELANTERA	
XCD1375	D1375-8486	DELANTERA	
XCD1378	D1378-8396	DELANTERA	
XCD1391	D1391-8500	TRASERA	
XCD1393	D1393-8501	TRASERA	
XCD1414	D1414-8528	DELANTERA	
XCD1423	D1423-8463	TRASERA	
XCD1454	D1454-8653	DELANTERA	

**CODIGO FMSI POSICION PAGINA**

XCD1468	D1468-8668	TRASERA	
XCD1494	D1494-8694	DELANTERA	
XCD1519	D1519-8728	DELANTERA	
XCD1538	D1538-8747	DELANTERA	
XCD1540AH	D1540A-8748	DELANTERA	
XCD1555	D1555-8767	DELANTERA	
XCD1571	D1571-8780	DELANTERA	
XCD1572	D1572-8781	TRASERA	
XCD1585	D1585-8397	TRASERA	
XCD1590	D1590-8801	DELANTERA	
XCD1592	D1592-8804	DELANTERA	
XCD1601	D1601-8815	DELANTERA	
XCD1602	D1602-8816	TRASERA	
XCD1623	D1623-8836	DELANTERA	
XCD1624	D1624-8837	TRASERA	
XCD1627	D1627-8844	DELANTERA	
XCD1641	D1641-8868	DELANTERA	
XCD1653	D1653-8882	DELANTERA	
XCD1665	D1665-8893	TRASERA	
XCD1677	D1677-8906	DELANTERA	
XCD1700	D1700-8924	DELANTERA	
XCD1702	D1702-8926	DELANTERA	
XCD1728	D1728-8952	DELANTERA	
XCD1731	D1731-8956	DELANTERA	
XCD1736	D1736-8906	DELANTERA	
XCD1737	D1737-8449	DELANTERA	
XCD1746AH	D1746A-8974	TRASERA	
XCD1759	D1759-8987	DELANTERA	
XCD1774	D1774-9004	DELANTERA	
XCD1775	D1775-9005	TRASERA	
XCD1776	D1776-9006	DELANTERA	
XCD1786	D1786-9013	TRASERA	
XCD1787	D1787-9014	DELANTERA	
XCD1805	D1805-9039	TRASERA	
XCD1815	D1815-9049	DELANTERA	
XCD1846	D1846-9073	TRASERA	
XCD1852	D1852-9081	DELANTERA	
XCD1864	D1864-9093	DELANTERA	
XCD1889	D1889-9262	DELANTERA	
XCD1890	D1890-9118	TRASERA	
XCD1891	D1891-9119	TRASERA	
XCD1891-1		TRASERA	
XCD1896	D1896-9124	DELANTERA	
XCD1906	D1906-9135	DELANTERA	
XCD1911	D1911-9141	DELANTERA	
XCD1913	D1913-9144	DELANTERA	
XCD1921	D1921-	TRASERA	
XCD1935	D1935-9159	DELANTERA	
XCD1940	D1940-9165	DELANTERA	
XCD1942	D1942-9167	DELANTERA	

**CODIGO FMSI POSICION PAGINA**

XCD1950	D1950-9175	DELANTERA	
XCD1974	D1974-9201	DELANTERA	
XCD2005	D2005-9304	DELANTERA	
XCD2006	D2006-9236	DELANTERA	
XCD2007	D2007	TRASERA	
XCD2019	D2019-9144	DELANTERA	
XCD2023	D2023-8549	DELANTERA	
XCD2024	D2024-9254	DELANTERA	
XCD2038	D2038-1310	DELANTERA	
XCD2042	D2042-9721	TRASERA	
XCD2058	D2058-9236	DELANTERA	
XCD2090	D2090-9325	TRASERA	
XCD2102	D2102-9106	TRASERA	
XCD2115	D2115-	DELANTERA	
XCD2151	D2151-9393	TRASERA	
XCD2153	D2153-9396	DELANTERA	
XCD2176	D2176	DELANTERA	
XCD2183	D2183	TRASERA	
XCD2198	D2198	DELANTERA	
XCD2199	D2199	TRASERA	
XCD2218	D2218-9458	DELANTERA	
XCD2219	D2219-9459	TRASERA	
XCD2245	D2245-9481	DELANTERA	
XCD2246	D2246-9482	TRASERA	
XCD2268	D2268	DELANTERA	
XCD2272	D2272	DELANTERA	
XCD2285	D2285	DELANTERA	
XCD2306	D2306-9541	TRASERA	
XCD2310	D2310-9545	DELANTERA	
XCD2385	D2385	DELANTERA	



CODIGO	FMSI	POSICION	PAGINA
--------	------	----------	--------

CODIGO	FMSI	POSICION	PAGINA
--------	------	----------	--------

XHD050	D50-7013	DELANTERA	
XHD052	D52-728	DELANTERA	
XHD0207	D207-7127	DELANTERA	
XHD0333	D333-7228	DELANTERA	
XHD0368	D368-7259	DELANTERA	
XHD0369	D369-7259	DELANTERA	
XHD0387	D387-7125	DELANTERA	
XHD0410	D410-7298	DELANTERA	
XHD0436	D436-7298	DELANTERA	
XHD0477	D477-7358	DELANTERA	
XHD0611	D611-7298	DELANTERA	
XHD0679	D679-7558	DELANTERA	
XHD0769	D769-7636	DELANTERA	
XHD0784	D784-7652	DELANTERA	
XHD0785	D785-7653	DEL/TRA	
XHD0786A	D786-7655	DEL/TRA	
XHD0790	D790-7660	DELANTERA	
XHD0791	D791-7661	TRASERA	
XHD0792	D792-7662	TRASERA	
XHD0799	D799-7671	DELANTERA	
XHD0825H	D825-7697	DELANTERA	
XHD0827H	D827-7699	DELANTERA	
XHD0879	D879-7584	TRASERA	
XHD0898	D898-7775	DELANTERA	
XHD0967	D967-7869	DELANTERA	
XHD0976	D976-7877	DELANTERA	
XHD1055	D1055-7961	TRASERA	
XHD1079	D1079-7984	DELANTERA	
XHD1083	D1083-7915	DELANTERA	
XHD1084	D1084-7991	DELANTERA	
XHD1092	D1092-7997	DELANTERA	
XHD1107A	D1107-8212	DELANTERA	
XHD1174A	D1174A-8287	DELANTERA	
XHD1194	8312-D1194	TRASERA	
XHD1265	D1265-8382	DELANTERA	
XHD1345	D1345-8456	DELANTERA	
XHD1363	D1363-8472	DELANTERA	
XHD1375	D1375-8486	DELANTERA	
XHD1421	D1421-8536	DELANTERA	
XHD1454	D1454-8653	DELANTERA	
XHD1455	D1455-8655	DELANTERA	
XHD1498	D1498-8698	TRASERA	
XHD1540A	D1540A-8748	DELANTERA	
XHD1550	D1550-8759	DELANTERA	
XHD1555	D1555-8767	DELANTERA	
XHD1590	D1590-8801	DELANTERA	
XHD1592	D1592-8804	DELANTERA	
XHD1676	D1676-8905	DELANTERA	
XHD1691	D1691-8918	TRASERA	
XHD1700H	D1700-8924	DELANTERA	

XHD1717	D1717-8942	DELANTERA	
XHD1746A	D1746A-8974	TRASERA	
XHD1774	D1774-9004	DELANTERA	
XHD1775	D1775-9005	TRASERA	
XHD1786	D1786-9013	TRASERA	
XHD1787	D1787-9014	DELANTERA	
XHD1911	D1911-9141	DELANTERA	
XHD1926	D1926-9151	TRASERA	
XHD1942	D1942-9167	DELANTERA	
XHD1968	D1968-9193	DELANTERA	
XHD2018	D2018-9249	DELANTERA	
XHD2058	D2058-9236	DELANTERA	
XHD2173S	D2173-9418	DELANTERA	
XHD2174S	D2174-9419	TRASERA	
XHD2196	D2196	DELANTERA	
XHD2197	D2197	TRASERA	



CODIGO | FMSI | POSICION | PAGINA

XS20A			
XS5RB	5RB0A		
XS0124			
XS0127			
XS0128			
XS0315	S315		
XS0358	S358		
XS0397	S397		
XS0473	S473		
XS0495	S495		
XS0503	S503		
XS0514	S514		
XS0520	S520		
XS0538	S538		
XS0553	S553		
XS0559	S559		
XS0574	S574		
XS0576	S576		
XS0581	S581		
XS0583	S583		
XS0589	S589		
XS0607	S607		
XS0619	S619		
XS0627	1429-S627		
XS0631	S631		
XS0636	S636		
XS0638	S638		
XS0662	S662		
XS0665	S665		
XS0668	S668-1454		
XS0670	S670		
XS0671	S671		
XS0675	S675		
XS0678	S678		
XS0689	S689		
XS0699	S699		
XS0701	S701		
XS0704	S704		
XS0705	S705		
XS0707	S707		
XS0714	S714		
XS0723	S723		
XS0726	S726		
XS0736	S736		
XS0738	S738		
XS0740	S740		
XS0745	S745		
XS0747	S747		
XS0751	S751		
XS0752	S752		

CODIGO | FMSI | POSICION | PAGINA

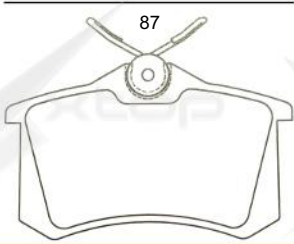
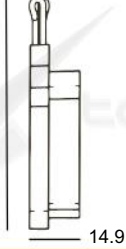
XS0760	S760		
XS0762	S762		
XS0764	S764		
XS0771	S771		
XS0778	S778		
XS0779	S779		
XS0780	S780		
XS0783	S783		
XS0784	S784		
XS0785	S785		
XS0792	S792		
XS0795	S795		
XS0801	S801		
XS0808	S808		
XS0810	S810		
XS0812	S812		
XS0814	S814		
XS0815	S815		
XS0832	S832		
XS0853	S853		
XS0854	S854		
XS0855	S855		
XS0871	S871		
XS0910	S910		
XS0913	S913		
XS0916	S916		
XS0917	S917		
XS0919	S919		
XS0921	S921		
XS0922	S922		
XS0924	S924		
XS0928	S928		
XS0936	S936		
XS0947	S947		
XS0952	S952		
XS0960	S960		
XS0984	S984		
XS0986	S986		
XS0991	S991		
XS0993	S993		
XS0994	S994		
XS0995	S995		
XS0996	S996		
XS0997	S997		
XS0999	S999		
XS1000	S1000		
XS1003	S1003		
XS1004	S1004		
XS1011	S1011		
XS1012	S1012		

CODIGO | FMSI | POSICION | PAGINA


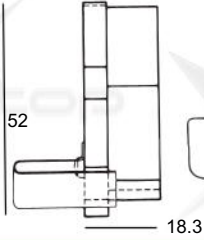

XS1016	S1016		
XS1020	S1020		
XS1021	S1021		
XS1025	S1025		
XS1026	S1026		
XS1027	S1027		
XS1028	S1028		
XS1029	S1029		
XS1030	S1030		
XS1032	S1032		
XS1033	S1033		
XS1034	S1034		
XS1037	S1037		
XS1039	S1039		
XS1044	S1044		
XS1046	S1046		
XS1049	S1049		
XS1054	S1054		
XS1057	S1057		
XS1059	S1059		
XS1070	S1070		
XS1072	S1072		
XS1073	S1073		
XS1079	S1079		
XS1085	S1085		
XS1090	S1090		
XS1096	S1096		
XS1097	S1097-1743		
XS1101	S1101		
XS1103	S1103		
XS1105	S1105		
XS1107	S1107		
XS1110	S1110		
XS7400	74L00		
XS91510			



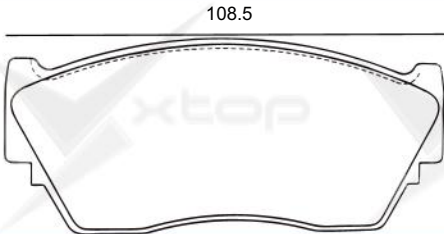
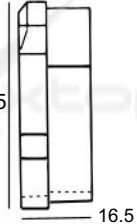
XCD0340	DELANTERA	TRASERA	APLICACIONES
		<b>X</b>	VW GF/JT A2/A3 85-99, JEETA CLASICO 17- , BEETLE 98-05, CORRADO 90-95 PASSAT 90-98, DERBY 98-07, PEUGEOT 307 03-10 RENAULT MEGANE 04-09 SCENIC 01-06, JETTA 1.4L TSI 19- 14.9MM DELGADA

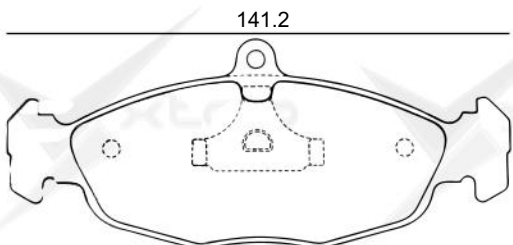
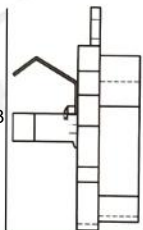

XCD0465	DELANTERA	TRASERA	APLICACIONES
	<b>X</b>		HONDA ACCORD 98-02, CIVIC SI 1.6L 96-10, LX 1.7L 01-10, COUPE/EX/SEDAN 1.8L 06-14

XCD0510	DELANTERA	TRASERA	APLICACIONES
	<b>X</b>		NISSAN TSURU III 1.6L 92-15, TSUBAME 1.6L 93-04

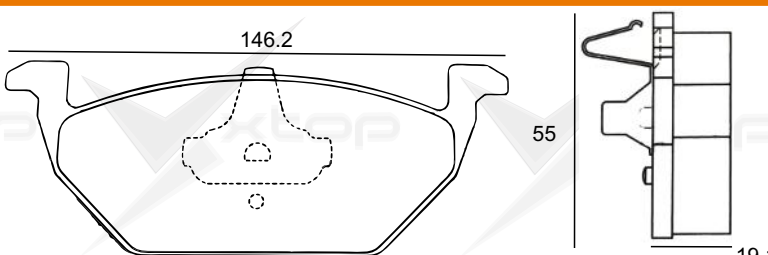



XCD0688	DELANTERA	TRASERA	APLICACIONES
	<b>X</b>		GM CHEVY JOY/POP/SWING/C2/C3 1.4/1.6L 94-11, MONZA 1.6/2.0L 97-06

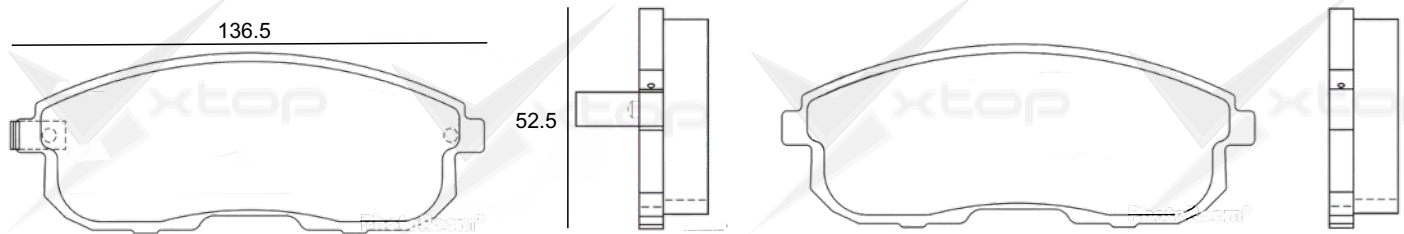


XCD0768A	DELANTERA	TRASERA	APLICACIONES
	X		VW BEETLE 99-11, JETTA A4 00-12, JETTA CLASICO 08-15, CROSSFOX 07-13 GOLF A4 00-05 JETTA CITY/EUROPA 07-10, SPORTVAN 07-10, GOLF GTI 01-03 POLO 13-14, UP 16-18 AUDI A3 01-04, SEAT ALTEA 05-12, LEON 02-08,

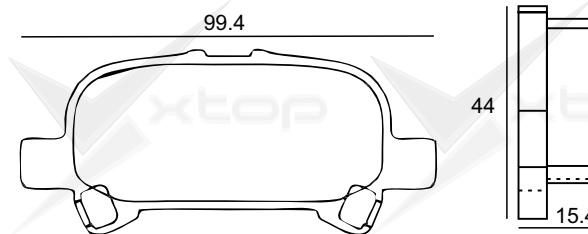


C/SENSORES

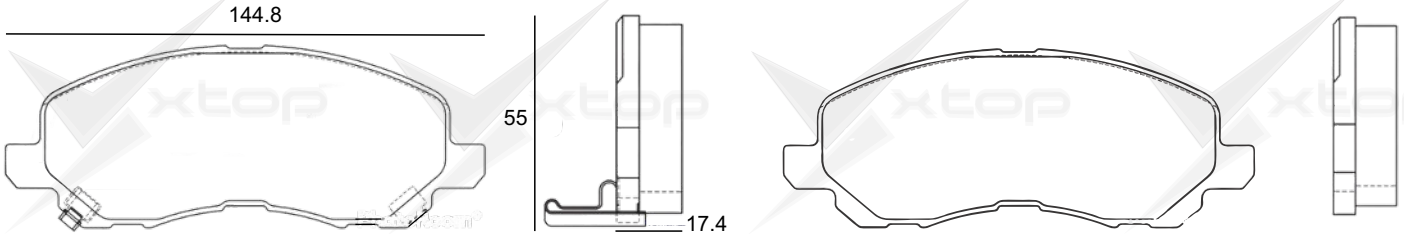
XCD0815	DELANTERA	TRASERA	APLICACIONES
	X		NISSAN ALTIMA 2.5/3.5L 02-08, MAXIMA 3.0L 00-01, 3.5L 02-03 SENTRA 2.0/2.5L 2012, 1.8L 13-16, RENAULT SAFRANE 3.5L 12-15 SUZUKI S-CROSS 1.6L 14-15 DELGADA 15.4MM



XCD0828	DELANTERA	TRASERA	APLICACIONES
		X	TY CAMRY 02-06, SOLARA 05-06



XCD0866	DELANTERA	TRASERA	APLICACIONES
	X		JEEP COMPASS/PATRIOT 07-11, MITSUBISHI LANCER ES 2.0L 08-11 OULANDER 06-10, GALANT 03-09, ECLIPSE 03-09, DODGE AVENGER/CALIBER 08-09





XCD0905	DELANTERA	TRASERA	APLICACIONES
			<b>X</b>

XCD0906	DELANTERA	TRASERA	APLICACIONES
	<b>X</b>		

XCD0923	DELANTERA	TRASERA	APLICACIONES
	<b>X</b>		

XCD0967	DELANTERA	TRASERA	APLICACIONES
			<b>X</b>



XCD0974	DELANTERA	TRASERA	APLICACIONES
		<b>X</b>	GM SUBURBAN V8 5.3/6.0L 03-05, EXPRESS VAN 2500 03-10 EXPRESS VAN 3500 03-06 SONORA V8 5.3L 04-06, SAVANA 2500/3500 03-08 20MM GRUESA

XCD0995	DELANTERA	TRASERA	APLICACIONES
		<b>X</b>	TY SIENNA 04-10

XCD1011	DELANTERA	TRASERA	APLICACIONES
	<b>X</b>		FORD F-150 04-05, LOBO 04-09

XCD1035	DELANTERA	TRASERA	APLICACIONES
	<b>X</b>		GM SPARK 13-15, OPTRA LS 2.0L 0712 AVEO 1.6L 06-12, OPTRA 2.0L 04-08 PONTIAC G3 05-09, SUZUKI FORENZA 04-05



XCD1037	DELANTERA	TRASERA	APLICACIONES
		<b>X</b>	JEEP COMPASS/PATRIOT 07-10, DODGE AVENGER 08-09, CALIBER 06-09 MITSUBISHI LANCER 04-05, OUTLANDER 05-07, CHRYSLER CIRRUS 07-10

XCD1044	DELANTERA	TRASERA	APLICACIONES
	<b>X</b>		FORD ECOSPORT 2.0L 13-17, ESCAPE 13-17, FOCUS 04-10, 12-16, MAZDA 3 04-13, MAZDA 5 06-14, VOLVO C30/C70 07-13, S40 04-11, V50 05-11

XCD1047	DELANTERA	TRASERA	APLICACIONES
	<b>X</b>		FORD ESCAPE 10-11, ESCAPE HYBRID 08-11, MERCURY MARINER 08-11 GRUESA 17MM

XCD1055	DELANTERA	TRASERA	APLICACIONES
		<b>X</b>	FORD ESCAPE 04-12, ESCAPE HYBRID 06-09, MARINER 05-09 MAZDA TRIBUTE 09



XCD1084	DELANTERA	TRASERA	APLICACIONES
	<b>X</b>		DODGE DURANGO LIMITE ST SXT V8 4.7/5.7L 07-10, DAKOTA SLT V6 3.7L 05-10, RAM 1500 07-10 ASPEN 07-09, MITSUBISHI RAIDER 07-09

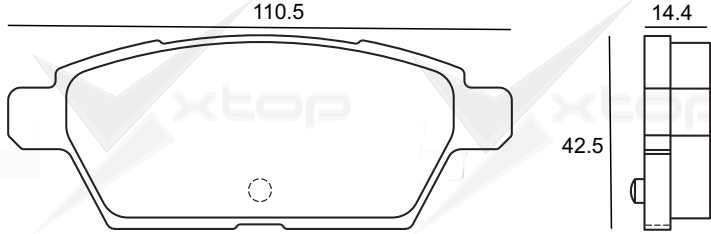
XCD1086	DELANTERA	TRASERA	APLICACIONES
		<b>X</b>	HONDA CR-V 05-16, ACCORD CROSSTOUR 10-15, ACURA RDX 3.5L 12-18

XCD1089	DELANTERA	TRASERA	APLICACIONES
	<b>X</b>		HONDA ACCORD CROSSTOUR 10-11, CR-V 07-11, ODYSSEY 05-10, ACURA RDX 07-12

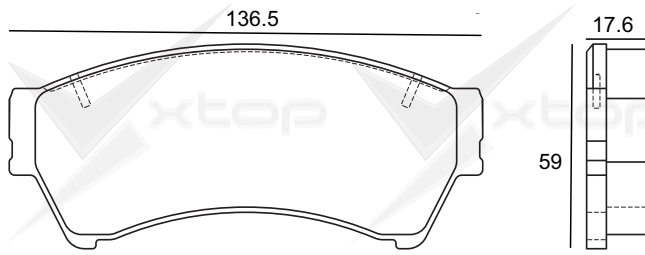
XCD1107	DELANTERA	TRASERA	APLICACIONES
	<b>X</b>		AUDI A3 06-08, SEAT ALTEA 05-15, IBIZA 09-16, LEON CUPRA 08-16 TOLEDO 06-07, VW BEETLE 12-15 BORA 05-10, CADDY 14-16, EOS 07-10 GTI 07-13, JETTA 06-16, JETTA BICENTENARIO 10, JETTA 1.4L TSI 19- PASSAT 05-10 C/UN SENSOR



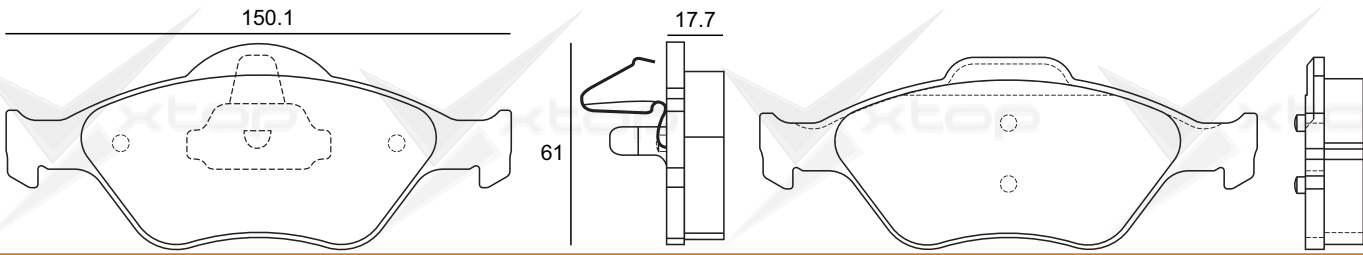
XCD1161	DELANTERA	TRASERA	APLICACIONES
		<b>X</b>	



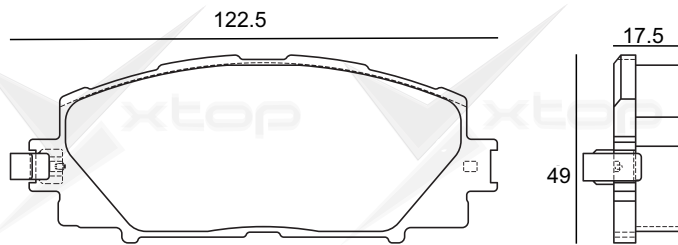
XCD1164	DELANTERA	TRASERA	APLICACIONES
	<b>X</b>		FORD FUSION 06-12, FUSION SPORT 10-12, LINCOLN MKZ 07-12, ZEPHYR 2006, MAZDA 6 08-13, MERCURY MILAN 07-08



XCD1175	DELANTERA	TRASERA	APLICACIONES
	<b>X</b>		FORD ECOSPORT 2.0L 04-12, FIESTA 2007, FIESTA IKON 12-15

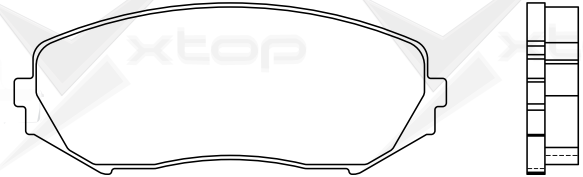
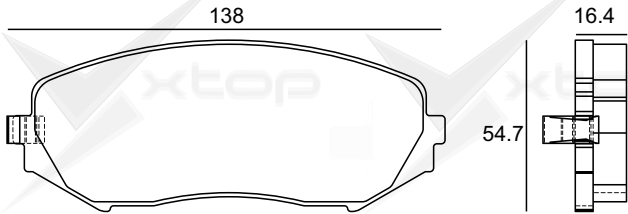


XCD1184	DELANTERA	TRASERA	APLICACIONES
	<b>X</b>		TOYOTA YARIS L4 1.5L 06-16, PRIUS C 12-17

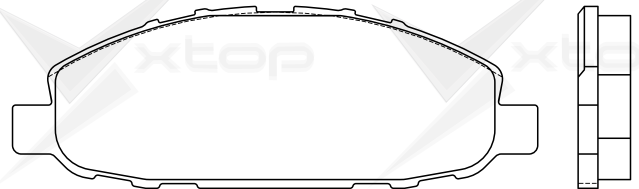
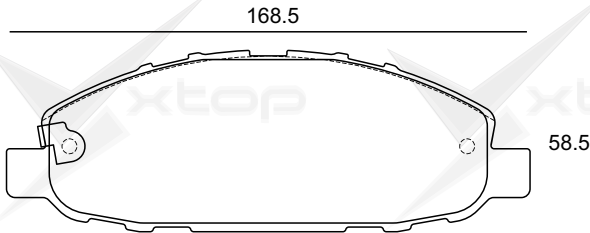




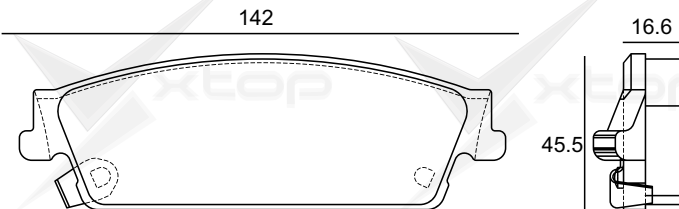
XCD1188	DELANTERA	TRASERA	APLICACIONES
	<b>X</b>		SUZUKI GRAND VITARA 06-13



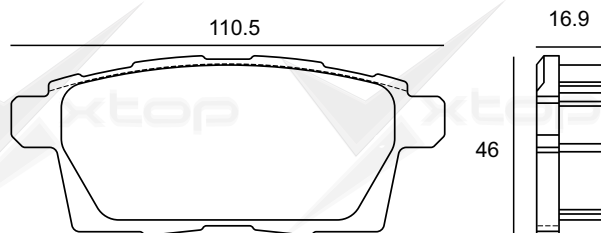
XCD1191	DELANTERA	TRASERA	APLICACIONES
	<b>X</b>		URVAN 2.4/2.5/3.0L NV350 02-17 (FRITEC F198)



XCD1194	DELANTERA	TRASERA	APLICACIONES
		<b>X</b>	CADILLAC ESCALADE 6.2L 07-18, CHEVROLET AVALANCHE 07-13, CHETENNE 2010, SILVERADO 1500 07-18, SUBURBAN 1500 07-18, TAHOE 07-18, GMC SIERRA 1500 07-17, SIERRA 4WD 09-12, SIERRA DENALI 07-10,



XCD1259	DELANTERA	TRASERA	APLICACIONES
		<b>X</b>	MAZDA CX-7 07-12, CX-9 07-14, FORD EDGE 07-10, LINCOLN MKX 07-10





XCD1273	DELANTERA	TRASERA	APLICACIONES
	<b>X</b>		CR T & COUNTRY 08-16, DG JOURNEY 09-10, NITRO 07-12, NITRO R/T 07-09, JEEP LIBERTY 08-12 WRANGLER/RUBICON/SAHARA 07-16, VW ROUTAN 09-11

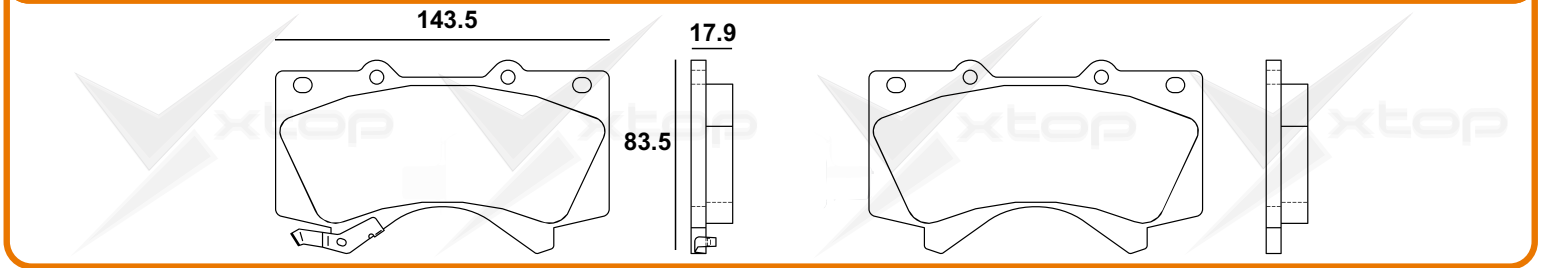
XCD1274	DELANTERA	TRASERA	APLICACIONES
		<b>X</b>	DG NITRO 07-12, NITRO R/T 07-09, JEEP LIBERTY 08-12 WRANGLER/RUBICON/SAHARA 07-16

XCD1275	DELANTERA	TRASERA	APLICACIONES
		<b>X</b>	GM EQUINOX V6 3.4L 07-17, CAPTIVA 08-15, TERRAIN 2.4/3.6L 10-17 PONTIAC TORRENT 3.4L 07-09, SATURN VUE 2.4/3.5/3.6L 08-10 SUZUKI XL-7 3.6L 07-10

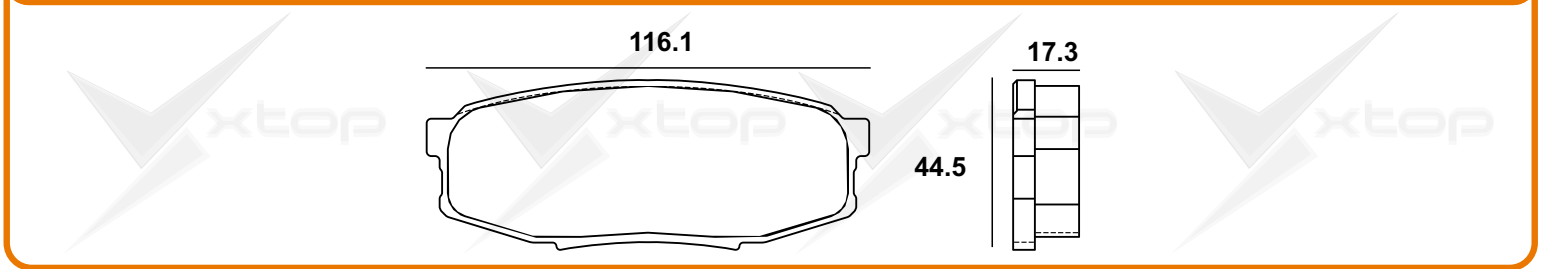
XCD1295	DELANTERA	TRASERA	APLICACIONES
	<b>X</b>		HYUNDAI IX35 2015, TUCSON 10-17, KIA FORTE 20-, SONATA 15-17, SPORTAGE 11-17



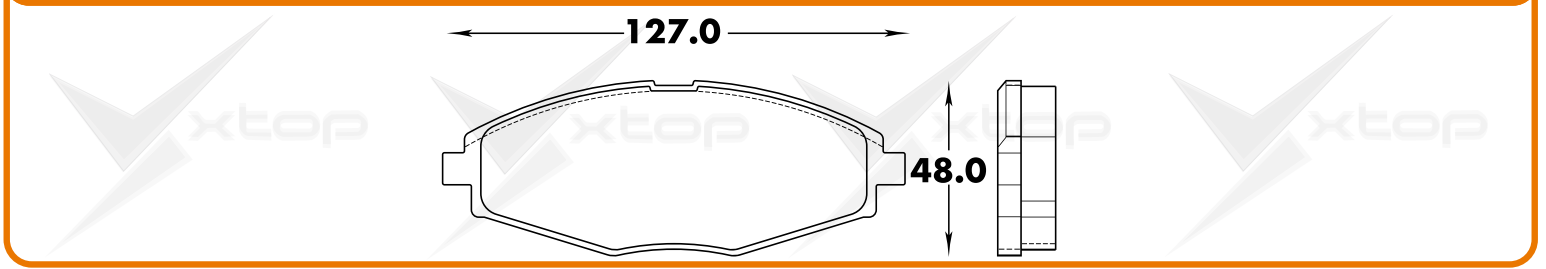
XCD1303	DELANTERA	TRASERA	APLICACIONES
	<b>X</b>		TY LAND CRUISER 08-17, SEQUOIA 08-17, TUNDRA 07-17



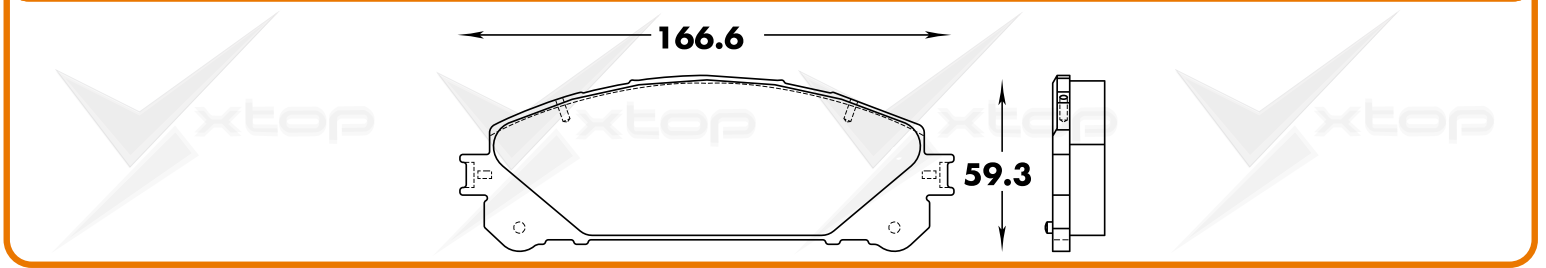
XCD1304	DELANTERA	TRASERA	APLICACIONES
		<b>X</b>	TY LAND CRUISER 08-17, SEQUOIA 08-17, TUNDRA 07-17



XCD1321	DELANTERA	TRASERA	APLICACIONES
	<b>X</b>		GM MATIZ 04-14

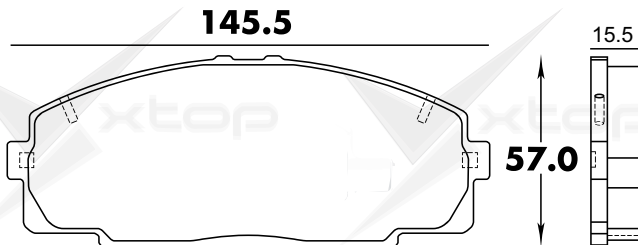


XCD1324	DELANTERA	TRASERA	APLICACIONES
	<b>X</b>		TOYOTA HIGHLANDER 08-16, SIENNA 11-17, LEXUS RX350/RX450H 13-16

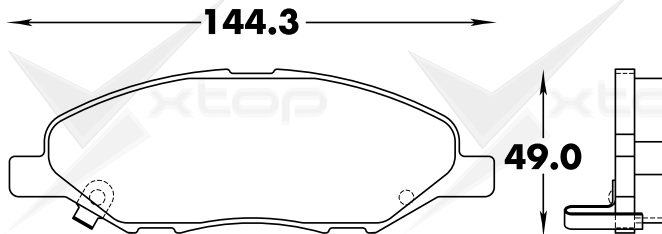
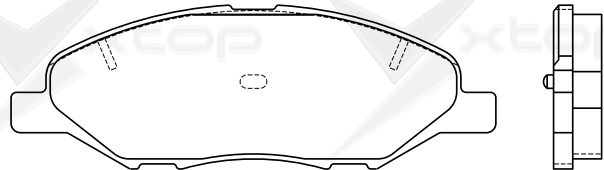




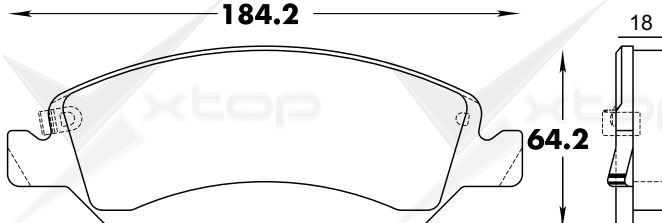

XCD1344	DELANTERA	TRASERA	APLICACIONES
	<b>X</b>		TOYOTA HIACE 06-14



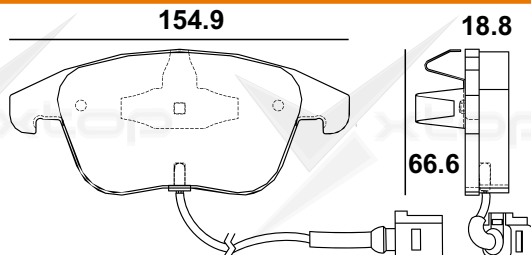
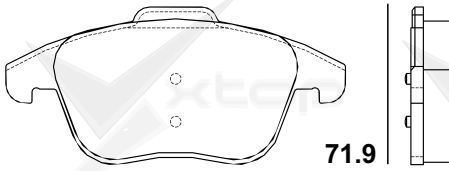
XCD1345	DELANTERA	TRASERA	APLICACIONES
	<b>X</b>		NISSAN TIIDA 06-17

XCD1363	DELANTERA	TRASERA	APLICACIONES
	<b>X</b>		GMC YUKON/SIERRA 1500 08-16, SAVANNA 1500 09-13, SILVERADO 1500 TAHOE/SUBURBAN 1500 08-17 AVALANCHE 08-13, EXPRESS 1500 09-14 CHEYENNE 2010, SILVERADO 2500 11-17, CADILLAC ESCALADE 08-17

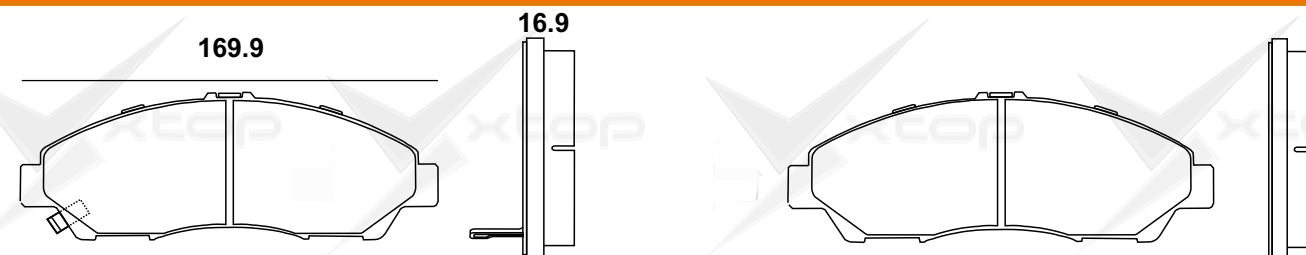



XCD1375	DELANTERA	TRASERA	APLICACIONES
	<b>X</b>		AUDI Q3 15-17, VW PASSAT 11-17, TIGUAN 09-16 C/SENSOR

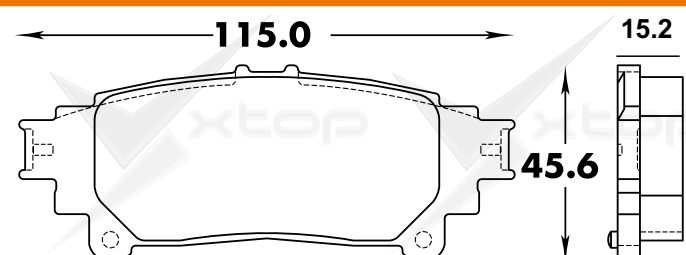





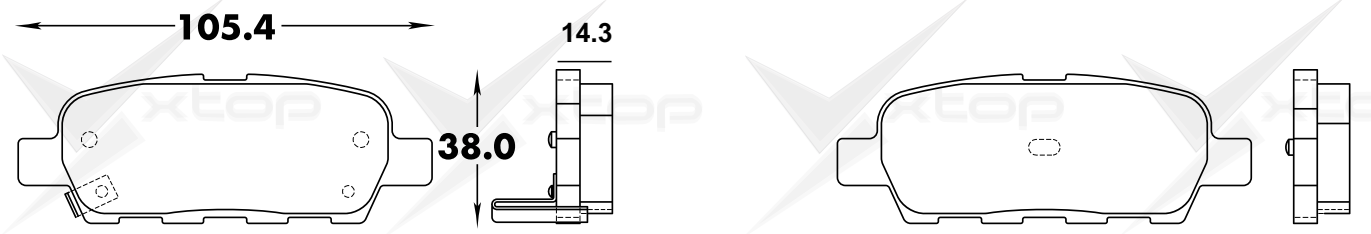
XCD1378	DELANTERA	TRASERA	APLICACIONES
	<b>X</b>		HONDA PILOT 09-15, ACURA NDX 07-13, ZDX 10-13



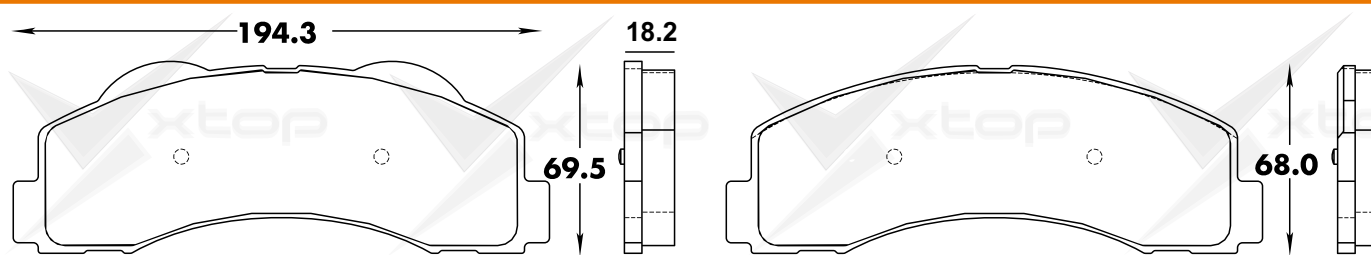
XCD1391	DELANTERA	TRASERA	APLICACIONES
		<b>X</b>	TOYOTA HIGHLANDER 14-16, SIENNA 11-17, PRIUS V 13-17, LEXUS RX350/RX450H 13-16



XCD1393	DELANTERA	TRASERA	APLICACIONES
		<b>X</b>	NISSAN 370Z/ALTIMA/MAXIMA 10-17, JUKE 11-15 LEAF 11-17, SENTRA 16-17, INFINITI EX35 09-13, M37/G37 11-13

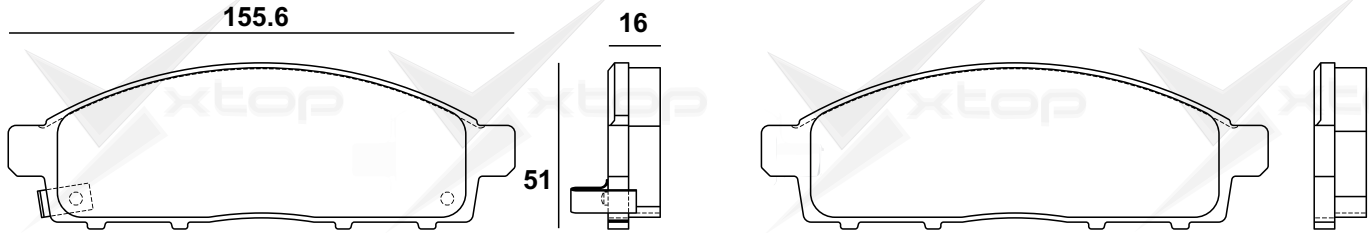


XCD1414	DELANTERA	TRASERA	APLICACIONES
	<b>X</b>		FORD EXPEDITION/F-150 10-17, LOBO 10-14, LINCOLN NAVIGATOR 11-17

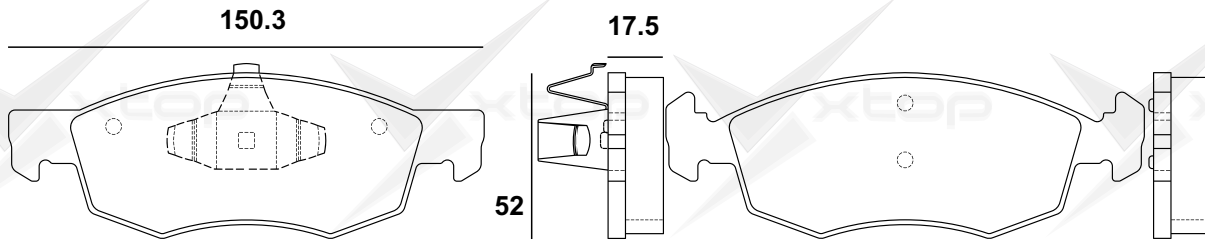




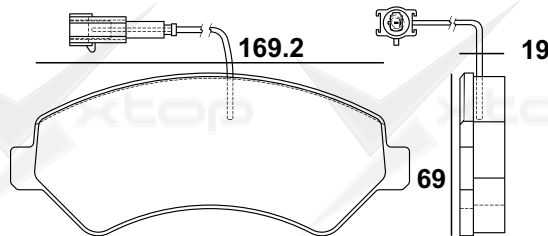
	DELANTERA	TRASERA	APLICACIONES
<b>XCD1519</b>	<b>X</b>		MITSUBISHI L200 09-15, MONTEO 09-12 (FRITEC F322)



	DELANTERA	TRASERA	APLICACIONES
<b>XCD1538</b>	<b>X</b>		FIAT PALIO 13-14, PALIO ADVENTURE 04-11, PALIO SEDAN/HATCH BACK 04-08 PALIO TREKKING 2010 STRADA 13-14, STRADA ADVENTURE 07-12 STRADA TREKKING 09-11

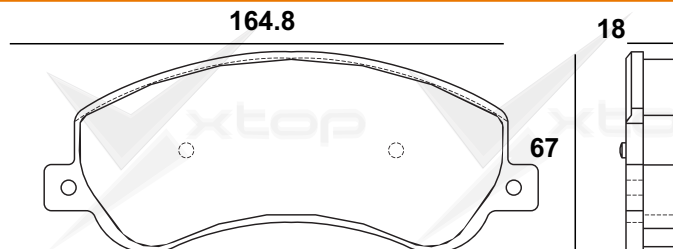


	DELANTERA	TRASERA	APLICACIONES
<b>XCD1540AH</b>	<b>X</b>		FIAT DUCATO 08- , PEUGEOT MANAGER 09-12, RAM PROMASTER 1500/2500/3500 14- C/SENSOR/HERRAJES



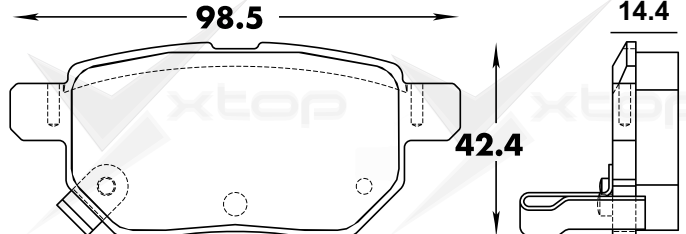
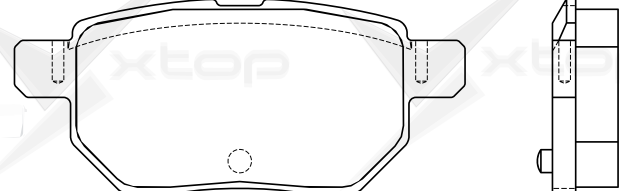
CON HERRAJES

	DELANTERA	TRASERA	APLICACIONES
<b>XCD1555</b>	<b>X</b>		VW AMAROK 2.0L 10-19, FORD TRANSIT 2013

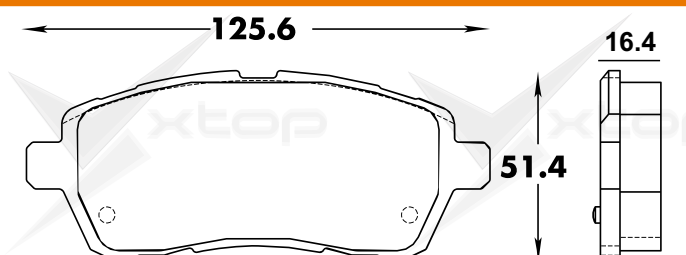
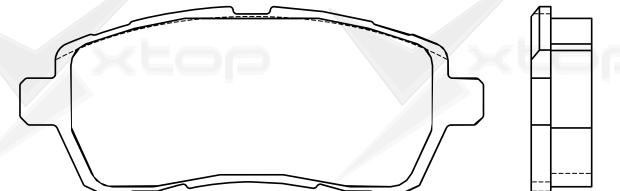




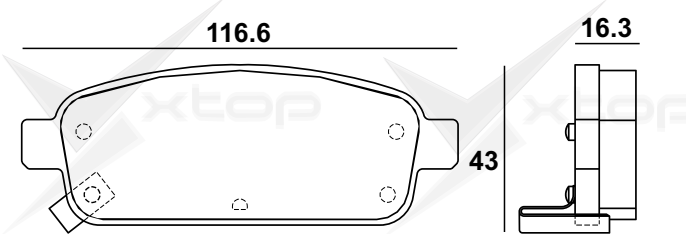
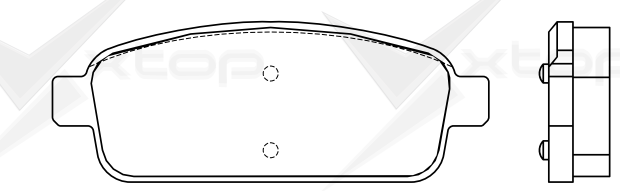
XCD1423	DELANTERA	TRASERA	APLICACIONES
			<b>X</b>

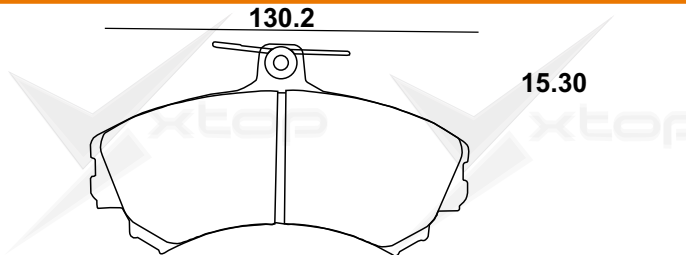
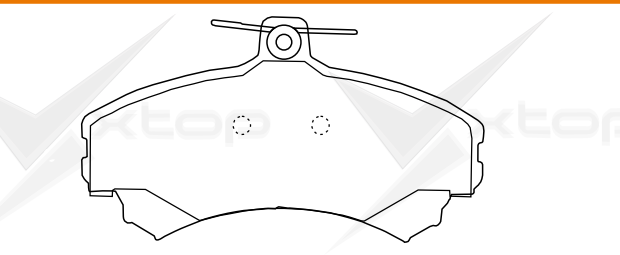
XCD1454	DELANTERA	TRASERA	APLICACIONES
	<b>X</b>		FORD FISETA 11-19, FIGO 15- , MAZDA 2 11-15, SUZUKI SWIFT BOOSTERJET 1.0L/GLS, GLX 1.2L/SPORT 1.4L 13-

XCD1468	DELANTERA	TRASERA	APLICACIONES
			<b>X</b>

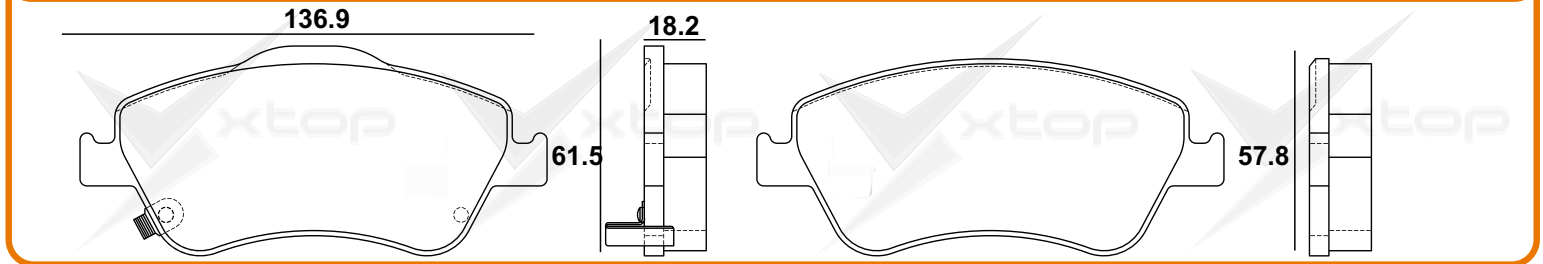



XCD1494	DELANTERA	TRASERA	APLICACIONES
	<b>X</b>		BAIC D20 17- , MITSUBISHI SPACE STAR 1.8L 03-06

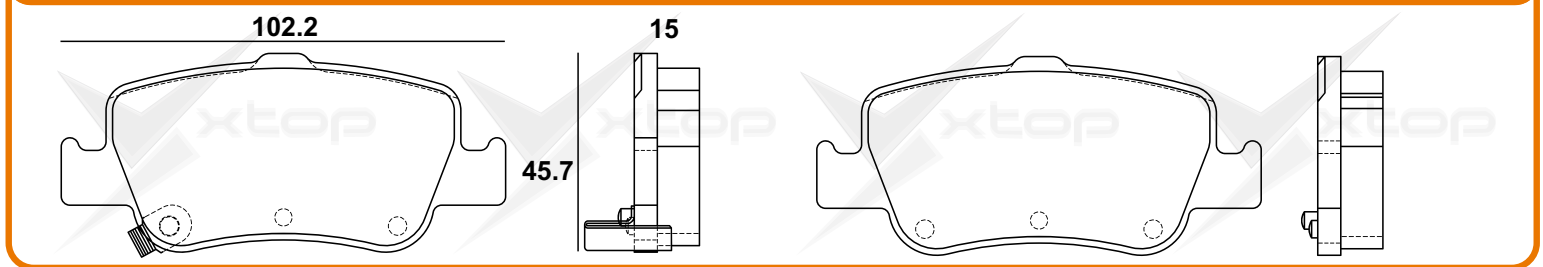





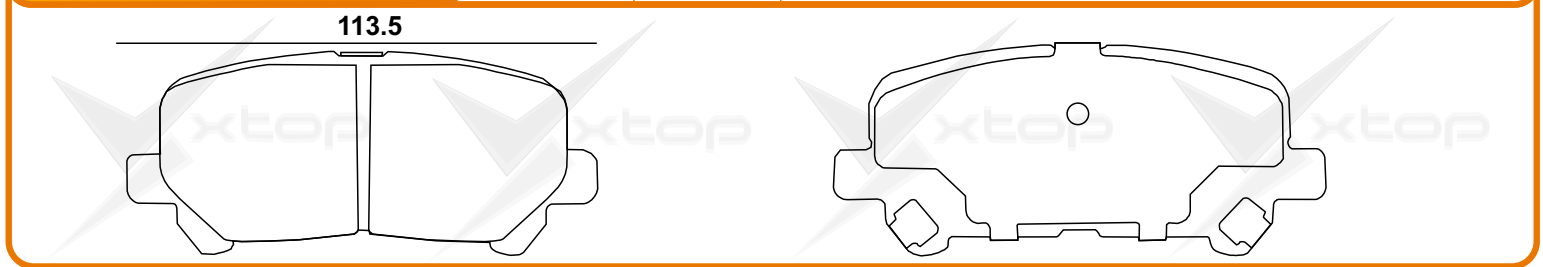
XCD1571	DELANTERA	TRASERA	APLICACIONES
	<b>X</b>		TY COROLLA 07-11 (BRASIL)



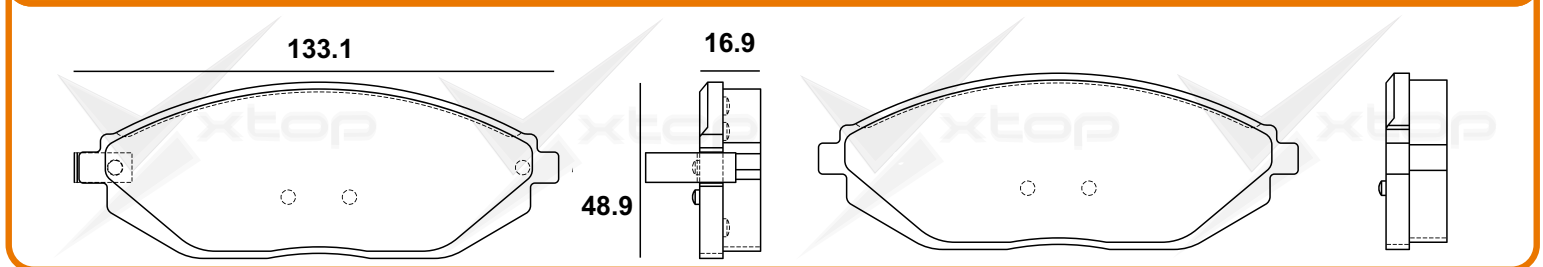
XCD1572	DELANTERA	TRASERA	APLICACIONES
		<b>X</b>	TY COROLLA 07-11 (BRASIL)



XCD1585	DELANTERA	TRASERA	APLICACIONES
		<b>X</b>	HONDA PILOT 12-15

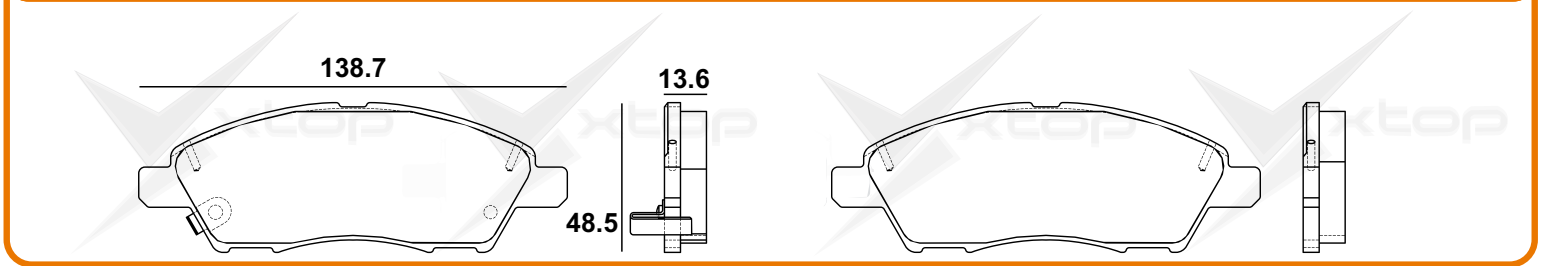


XCD1590	DELANTERA	TRASERA	APLICACIONES
	<b>X</b>		CHEVROLET SPARK 11-16, BEAT 17- , SONIC 16-18 (SIMILAR D1269)

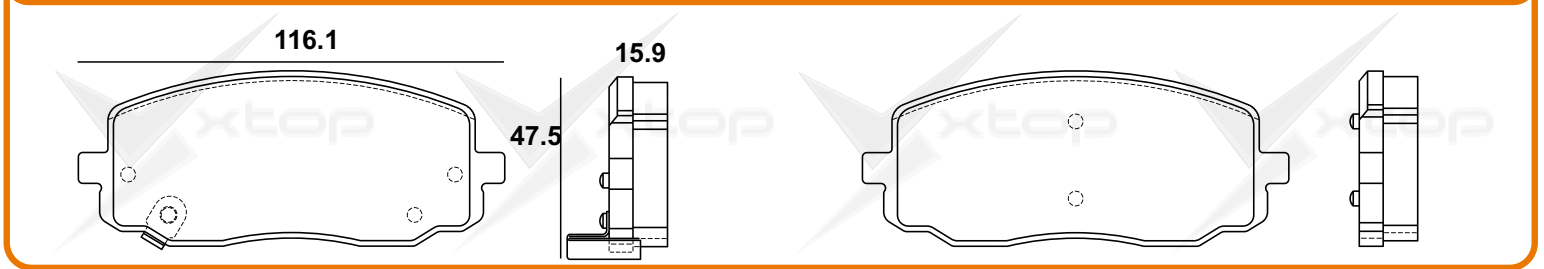




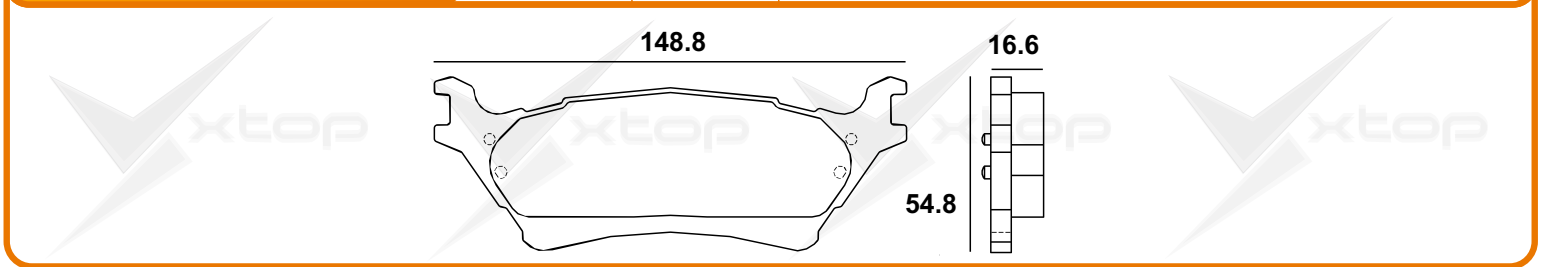
XCD1592	DELANTERA	TRASERA	APLICACIONES
	<b>X</b>		NISSAN VERSA 11-19 , MARCH 12- , NOTE 14-7



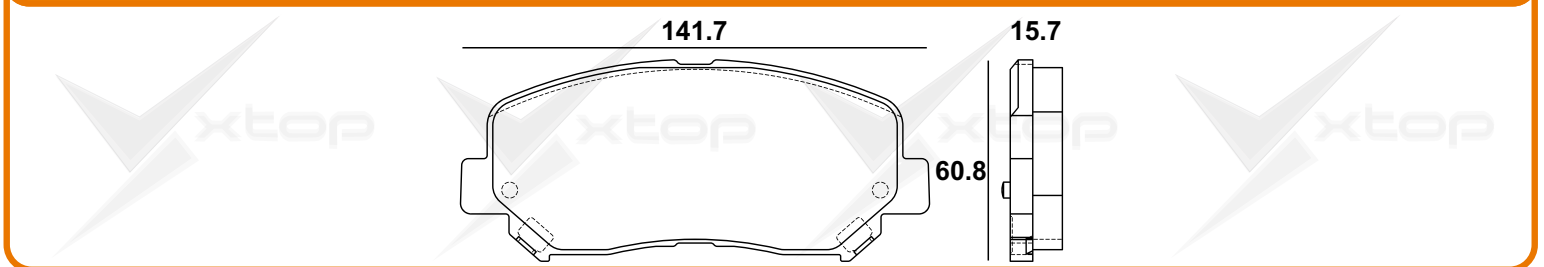
XCD1601	DELANTERA	TRASERA	APLICACIONES
	<b>X</b>		DODGE i10 1.1L 12-14



XCD1602	DELANTERA	TRASERA	APLICACIONES
		<b>X</b>	FD F-150 12-17, LOBO 12-14, LOBO RAPTOR 12-14



XCD1623	DELANTERA	TRASERA	APLICACIONES
	<b>X</b>		MAZDA CX-5 13-19





XCD1665	DELANTERA	TRASERA	APLICACIONES
			<b>X</b>

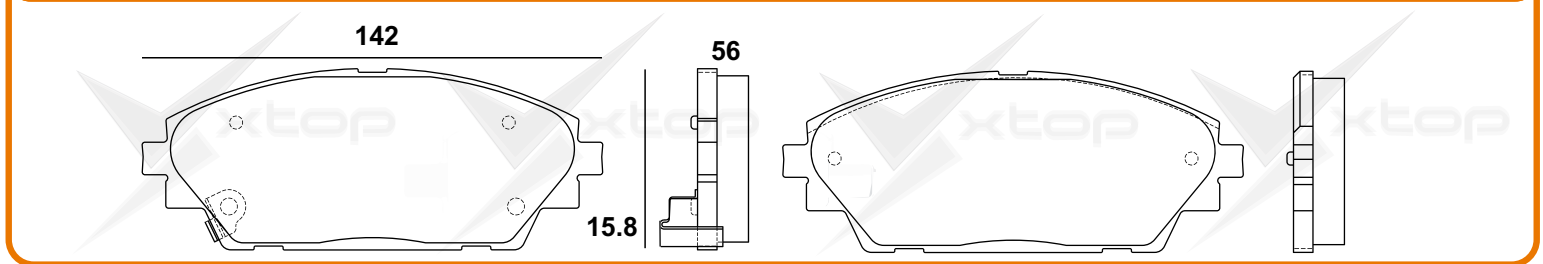
XCD1677	DELANTERA	TRASERA	APLICACIONES
		<b>X</b>	

XCD1700	DELANTERA	TRASERA	APLICACIONES
		<b>X</b>	

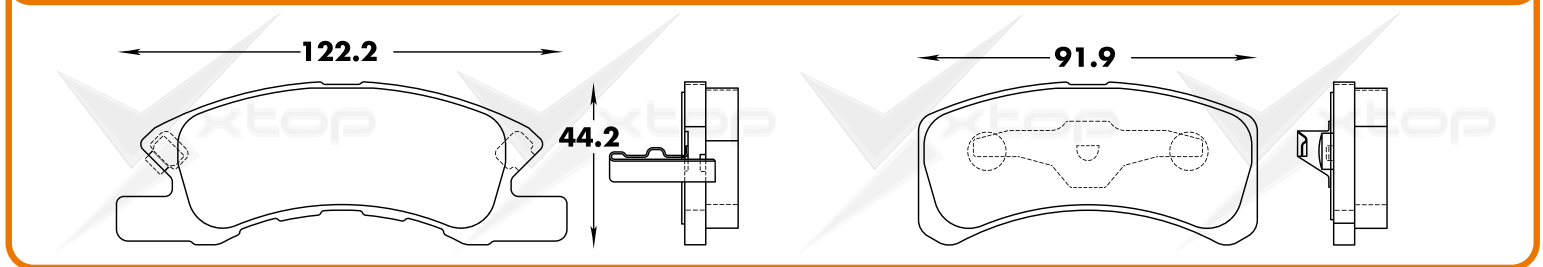
XCD1702	DELANTERA	TRASERA	APLICACIONES
		<b>X</b>	



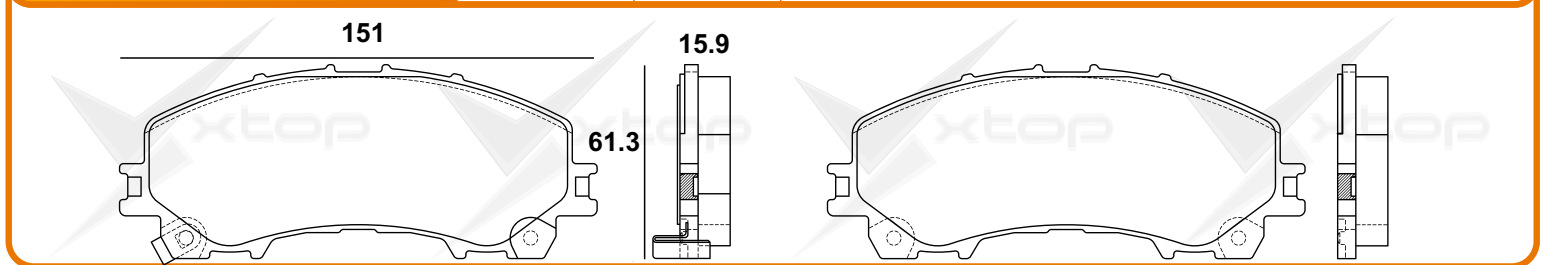
XCD1728	DELANTERA	TRASERA	APLICACIONES
	<b>X</b>		MAZDA 3 14-18 ENSAMBALDO EN JAPON, CX-3 16-19



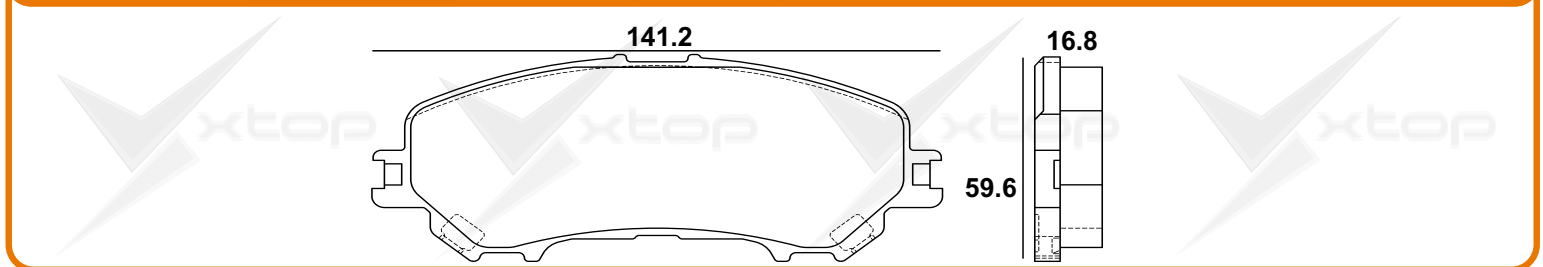
XCD1731	DELANTERA	TRASERA	APLICACIONES
	<b>X</b>		TDG ATTITUDE 15-, MITSUBISHI MIRAGE 15-



XCD1736	DELANTERA	TRASERA	APLICACIONES
	<b>X</b>		NISSAN X-TRAIL 14-17 (3 FILAS DE ASIENTO), INFINITI Q50 14-17

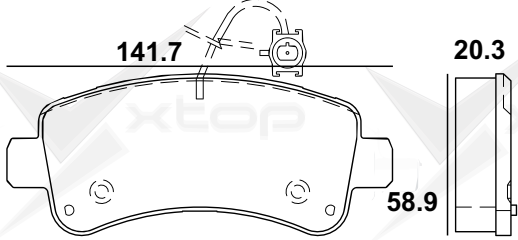


XCD1737	DELANTERA	TRASERA	APLICACIONES
	<b>X</b>		NISSAN X-TRAIL 14-17 (2 FILAS DE ASIENTO), RENAULT KOLEOS 17-

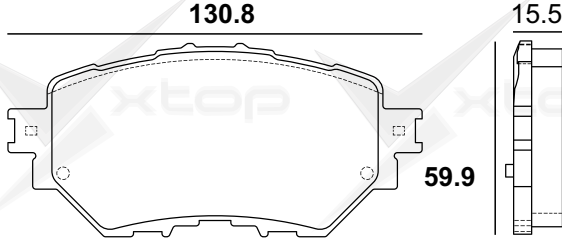




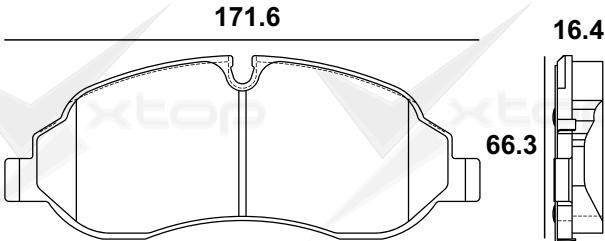
XCD1746AH	DELANTERA	TRASERA	APLICACIONES
		<b>X</b>	



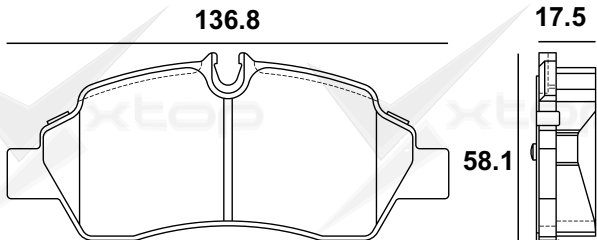
XCD1759	DELANTERA	TRASERA	APLICACIONES
	<b>X</b>		



XCD1774	DELANTERA	TRASERA	APLICACIONES
	<b>X</b>		

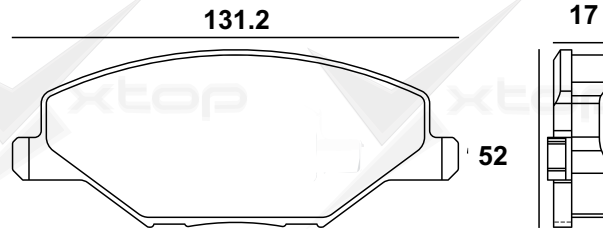


XCD1775	DELANTERA	TRASERA	APLICACIONES
		<b>X</b>	

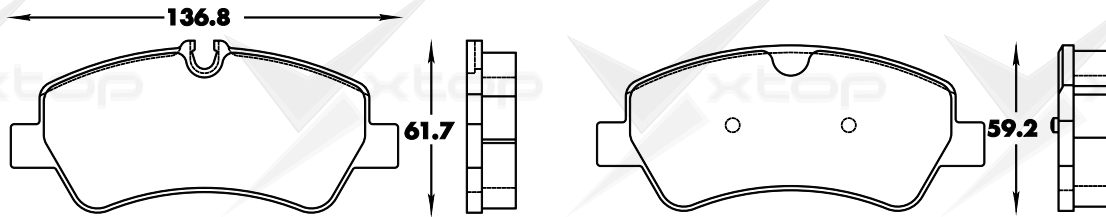




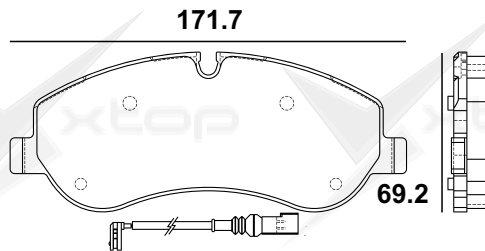
XCD1776	DELANTERA	TRASERA	APLICACIONES
	<b>X</b>		VW VENTO 13-, POLO 15-



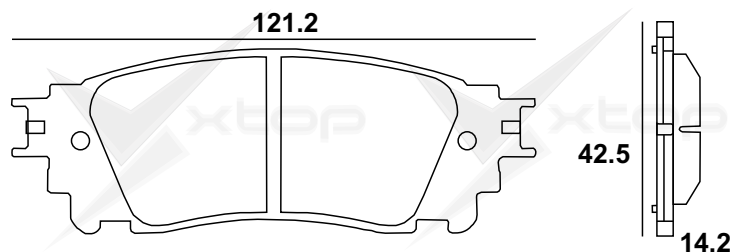
XCD1786	DELANTERA	TRASERA	APLICACIONES
		<b>X</b>	FORD TRANSIT 2.2L 14-19, 3.7L 15-17



XCD1787	DELANTERA	TRASERA	APLICACIONES
	<b>X</b>		FORD TRANSIT 2.2L 14-19, 3.7L 15-17

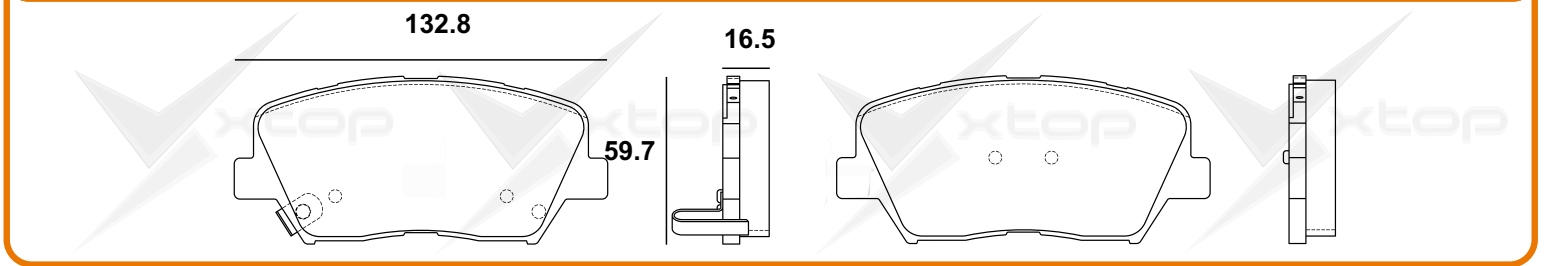


XCD1805	DELANTERA	TRASERA	APLICACIONES
		<b>X</b>	TY CAMRY 18-19

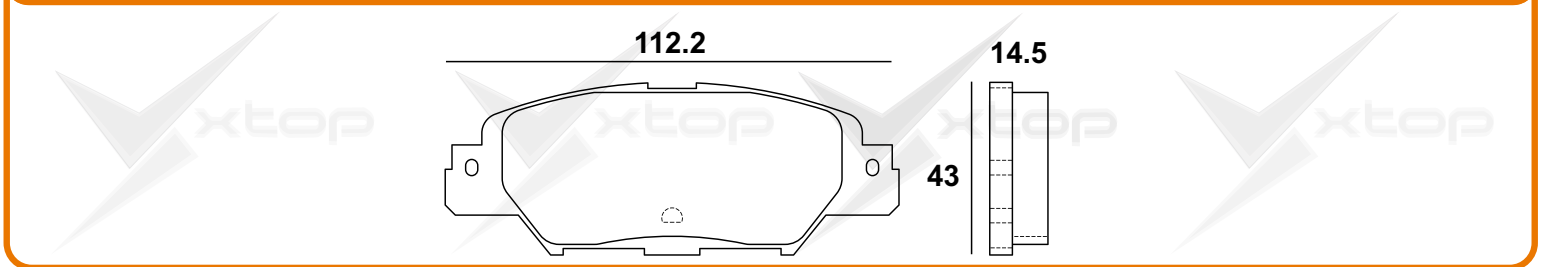




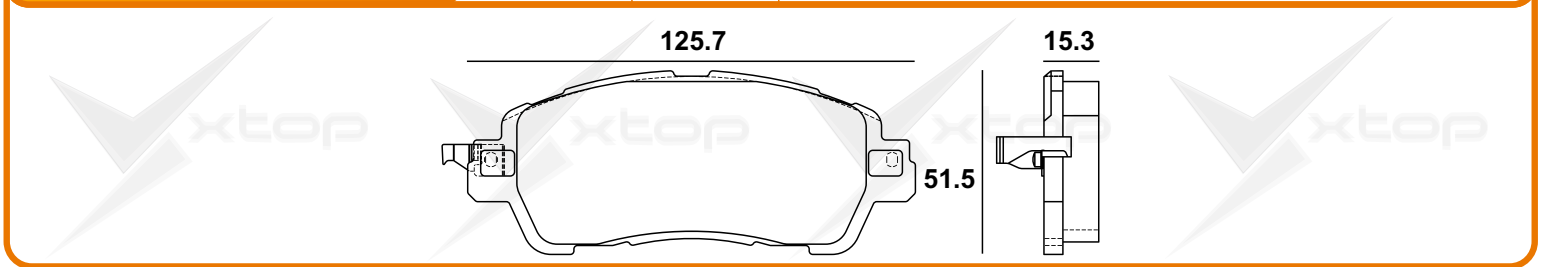
XCD1815	DELANTERA	TRASERA	APLICACIONES
	<b>X</b>		HYUNDAI CRETA 1.6L 17-19, SANTA FE 17-18, KIA NIRO 17-19 SORENTO 2.4/3.3L 19-



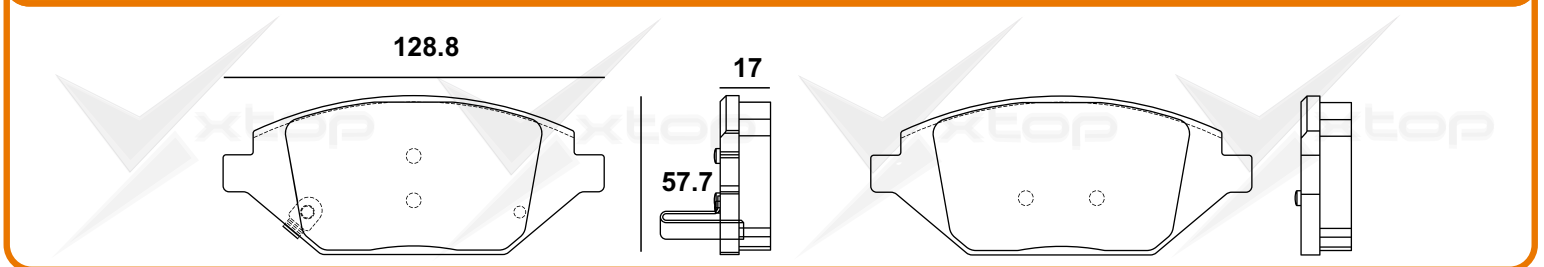
XCD1846	DELANTERA	TRASERA	APLICACIONES
		<b>X</b>	MAZDA CX-5 16-19



XCD1852	DELANTERA	TRASERA	APLICACIONES
	<b>X</b>		TOYOTA YARIS R 1.5L 16-, MAZDA 2 16-



XCD1864	DELANTERA	TRASERA	APLICACIONES
	<b>X</b>		CHEVROLET SPARK LT 1.4L 16- (VERSIÓN BÁSICA)





XCD1889	DELANTERA	TRASERA	APLICACIONES
	<b>X</b>		PEUGEOT 308 16-17

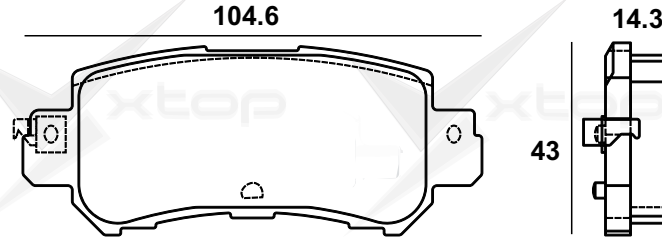
XCD1890	DELANTERA	TRASERA	APLICACIONES
		<b>X</b>	PEUGEOT 308 16-17

XCD1891	DELANTERA	TRASERA	APLICACIONES
		<b>X</b>	PEUGEOT PARTNER/RIFTER 1.6T 20-, 3008 1.6L GASOLINA/2.0HDI DIESEL 20- (P/MODELO CON FRENO DE ESTACIONAMIENTO ELÉCTRICO) LARGO 98.60 MM

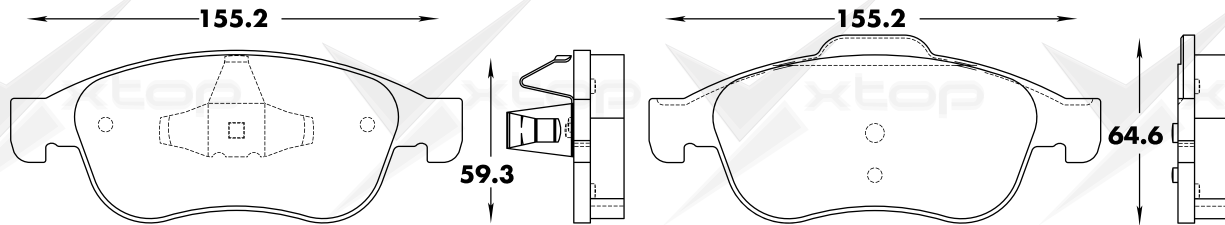
XCD1891-1	DELANTERA	TRASERA	APLICACIONES
		<b>X</b>	PEUGEOT PARTNER/RIFTER 1.6T 20- (P/MODELO CON FRENO DE ESTACIONAMIENTO MANUAL) LARGO 92.10 MM



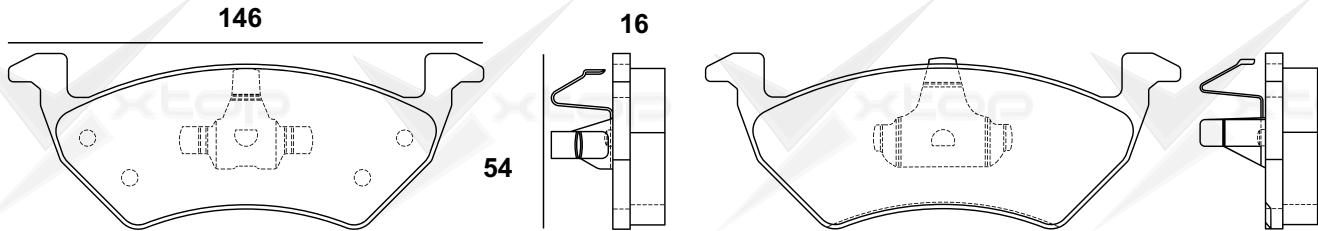
XCD1624	DELANTERA	TRASERA	APLICACIONES
		<b>X</b>	



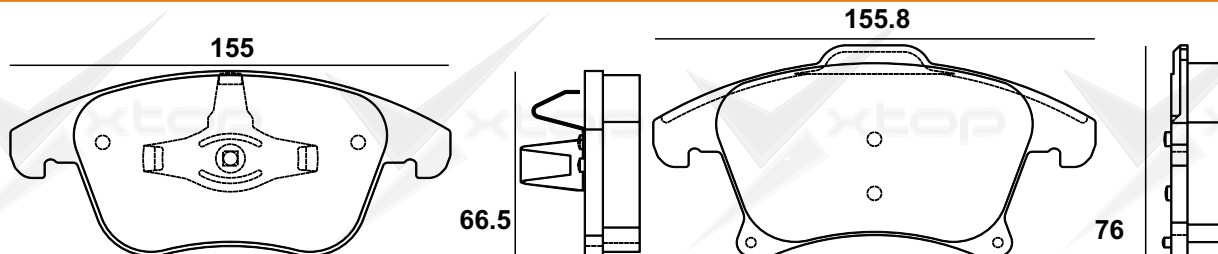
XCD1627	DELANTERA	TRASERA	APLICACIONES
	<b>X</b>		



XCD1641	DELANTERA	TRASERA	APLICACIONES
	<b>X</b>		

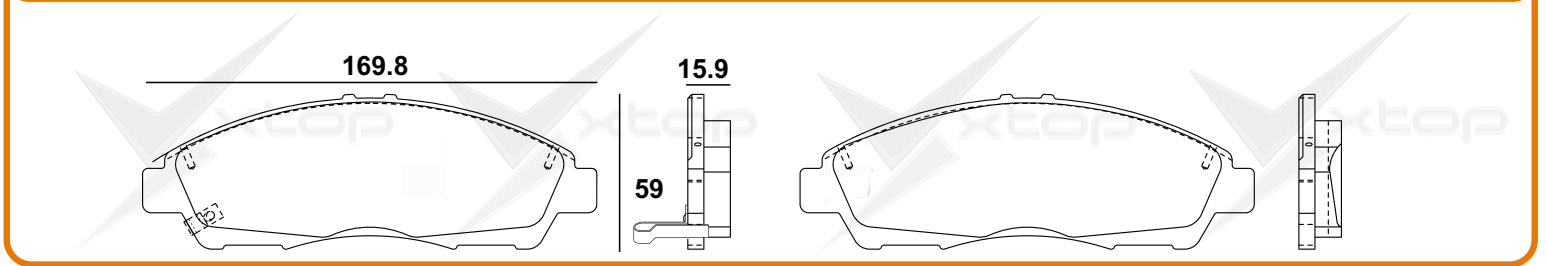


XCD1653	DELANTERA	TRASERA	APLICACIONES
	<b>X</b>		

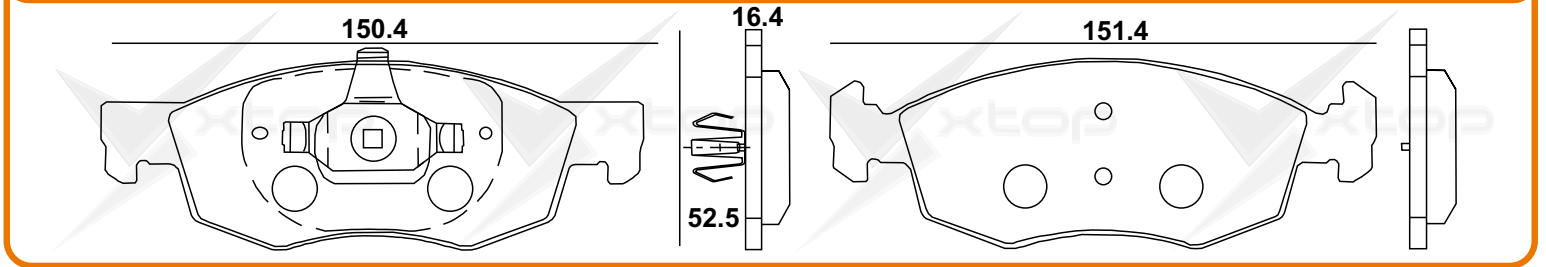




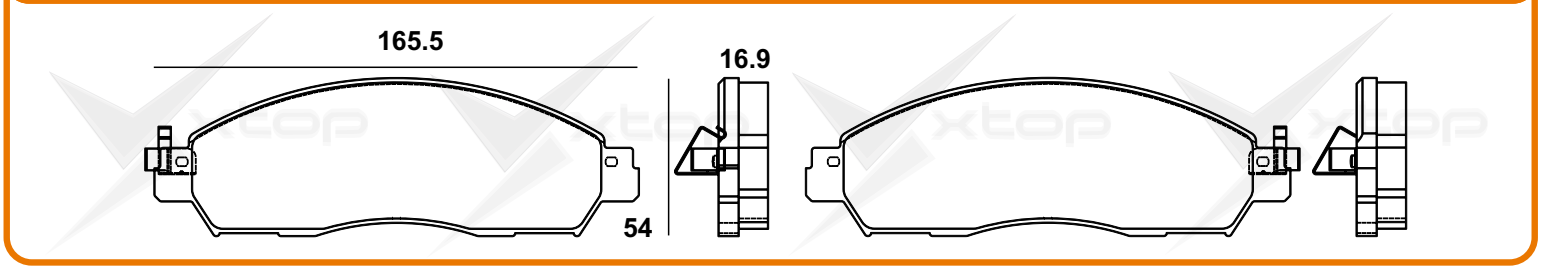
XCD1896	DELANTERA	TRASERA	APLICACIONES
	<b>X</b>		CHEVROLET BLAZER 19- , EQUINOX 19- , TRAVERSE 18- , GMC ACADIA 18-



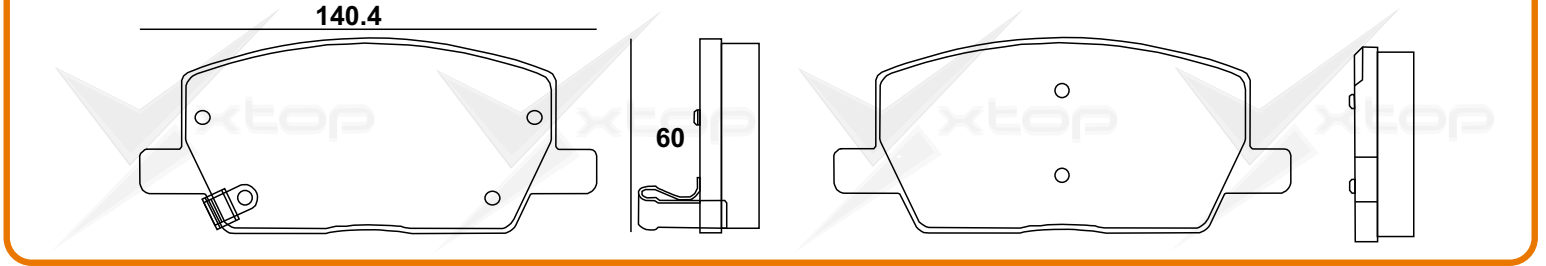
XCD1906	DELANTERA	TRASERA	APLICACIONES
		<b>X</b>	FIAT ESTRADA 13-14, RAM 700 15-18 CABINA SENCILLA, DG VISION 15-18



XCD1911	DELANTERA	TRASERA	APLICACIONES
	<b>X</b>		NISSAN NP300/NP300 FRONTIER 16-



XCD1913	DELANTERA	TRASERA	APLICACIONES
	<b>X</b>		BUICK LACROSSE 17- , REGAL SPORTBACK/TOURX 18- CHEVROLET EQUINOX 18- , MALIBU 1.5T/1.8L/2.0T 16- , GMC TERRAIN 18-





XCD1921	DELANTERA	TRASERA	APLICACIONES
		<b>X</b>	CHEVROLET MALIBU 1.5T/1.8L/2.0T 16-

99.6  
39.9

XCD1935	DELANTERA	TRASERA	APLICACIONES
	<b>X</b>		HYUNDAI GRAND I-10 15-

132.8  
51

16.2

XCD1940	DELANTERA	TRASERA	APLICACIONES
	<b>X</b>		CHEVROLET CAVALIER 1.5L 18-

155  
54

XCD1942	DELANTERA	TRASERA	APLICACIONES
	<b>X</b>		GM AVEO 1.5L 18-

140.2  
55

16.2

55



XCD1950	DELANTERA	TRASERA	APLICACIONES
	<b>X</b>		TY LAND CRUISER 08-17, SEQUOIA 08-17, TUNDRA 07-17

XCD2005	DELANTERA	TRASERA	APLICACIONES
	<b>X</b>		SUZUKI IGNIS 1.2L 17-

XCD2006	DELANTERA	TRASERA	APLICACIONES
	<b>X</b>		TOYOTA HILUX 2.7L GASOLINA 17- DOBLE CABINAS

XCD2019	DELANTERA	TRASERA	APLICACIONES
	<b>X</b>		CHEVROLET TRAX 1.8L 18-



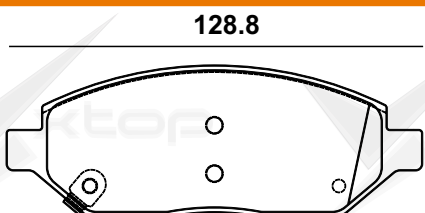
	DELANTERA	TRASERA	APLICACIONES
<b>XCD2023</b>	<b>X</b>		HYUNDAI CRETA 16-18, KIA SORENTO 3.3L 15-16



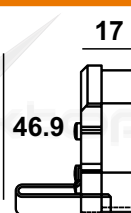
133.1  
57.1




	DELANTERA	TRASERA	APLICACIONES
<b>XCD2024</b>	<b>X</b>		GM SPARK PRIMER/ACTIV 1.4L 16- (VERSIÓN EQUIPADA)




128.8  
46.9

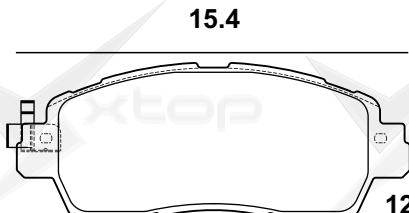


17  
46.9

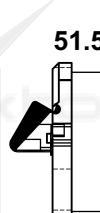




	DELANTERA	TRASERA	APLICACIONES
<b>XCD2038</b>	<b>X</b>		NISSAN KICKS 17-

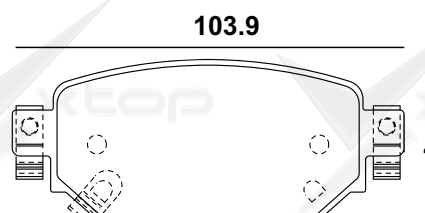


15.4  
125.6

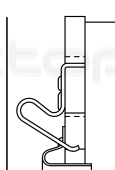


51.5  
125.6

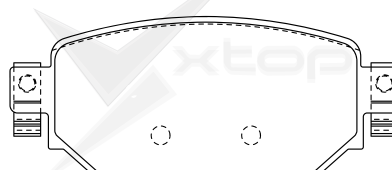
	DELANTERA	TRASERA	APLICACIONES
<b>XCD2042</b>		<b>X</b>	MAZDA 3 2.0/2.5L 16-18, CX-3 2.0L 19-

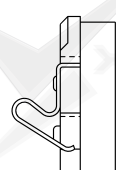


103.9  
44



44  
44







XCD2151	DELANTERA	TRASERA	APLICACIONES
			<b>X</b>

133.19

52

XCD2153	DELANTERA	TRASERA	APLICACIONES
	<b>X</b>		

XCD2176	DELANTERA	TRASERA	APLICACIONES
	<b>X</b>		

139.8

54.1

XCD2183	DELANTERA	TRASERA	APLICACIONES
	<b>X</b>		

103.6

44.7



XCD2058	DELANTERA	TRASERA	APLICACIONES
	<b>X</b>		TOYOTA HILUX 2.7L GASOLINA 17- CABINA SENCILLA

XCD2090	DELANTERA	TRASERA	APLICACIONES
		<b>X</b>	PEUGEOT 3008 17- , 5008 19-

XCD2102	DELANTERA	TRASERA	APLICACIONES
		<b>X</b>	HONDA ACCORD 1.5T/2.0T 18- , CIVIC 20-

XCD2115	DELANTERA	TRASERA	APLICACIONES
	<b>X</b>		HONDA ACCORD 1.5T/2.0T 18-



XCD2198	DELANTERA	TRASERA	APLICACIONES
	X		HYUNDAI SANTA FE 19-

140.9



61.5



XCD2199	DELANTERA	TRASERA	APLICACIONES
		X	HYUNDAI SANTA FE 19-

111.2



48.1



XCD2218	DELANTERA	TRASERA	APLICACIONES
	X		MAZDA 3 2.5L 20-, CX-30 2.5L 20-

137.4



55.4



XCD2219	DELANTERA	TRASERA	APLICACIONES
		X	MAZDA 3 2.5L 20-, CX-30 2.5L 20-

122.9



40.9





XCD2245	DELANTERA	TRASERA	APLICACIONES
	X		PEUGEOT EXPERT 2.0L 18-



XCD2246	DELANTERA	TRASERA	APLICACIONES
		X	PEUGEOT EXPERT 2.0L 18-



XCD2268	DELANTERA	TRASERA	APLICACIONES
	X		TOYOTA HIACE 2.8/3.5L 20-



XCD2272	DELANTERA	TRASERA	APLICACIONES
	X		SUZUKI ERTIGA 1.5L 19-

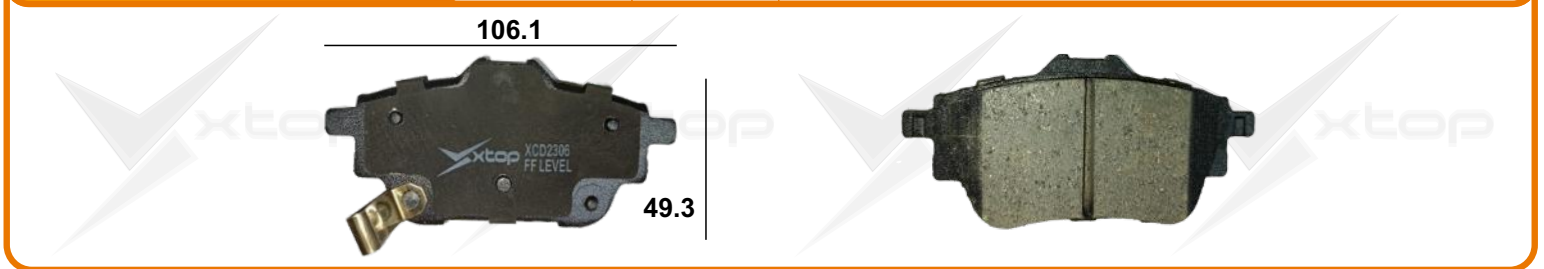




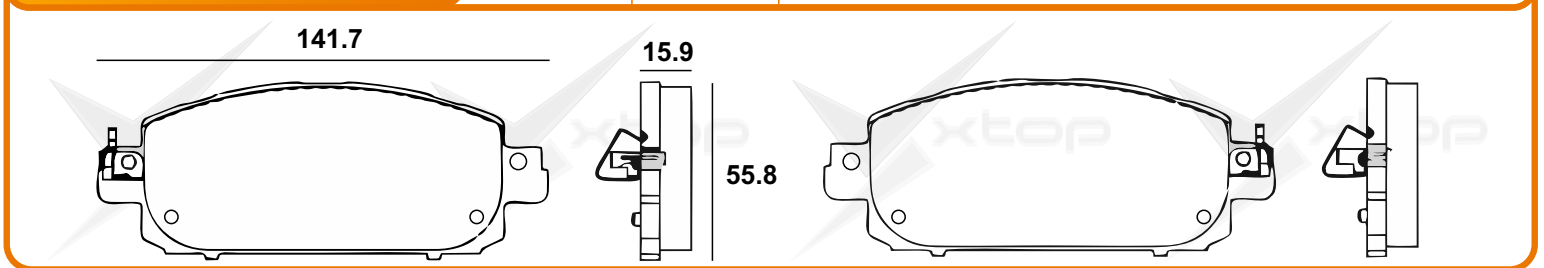
XCD2285	DELANTERA	TRASERA	APLICACIONES
	X		KIA SOUL 1.6/2.0L 20-



XCD2306	DELANTERA	TRASERA	APLICACIONES
		X	NISSAN SENTRA 2.0L 20-



XCD2310	DELANTERA	TRASERA	APLICACIONES
		X	NISSAN SENTRA 2.0L 20-



XCD2385	DELANTERA	TRASERA	APLICACIONES
	X		CHEVROLET ONIX 1.0L, 1.2L TURBO 20-



# Balata Freno De Disco



**xtop**

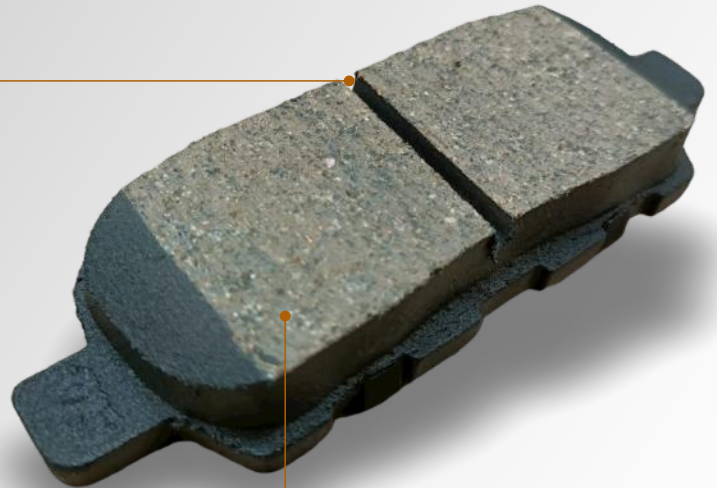
**Brake Pads**  
BALATAS PARA DISCOS  
CERÁMICA

## Ranuras y chanflanes

Minimizan esfuerzos mecánicos  
vibración y ruido

## High-Ceramic

Formula de cerámica específica  
para cada auto



## Lamina Anti-Ruido

Se utiliza la mas avanzada  
tecnología de lanas anti-ruido  
para asegurar un silencioso frenado  
y confortante para el usuario



## Respaldo Metalico

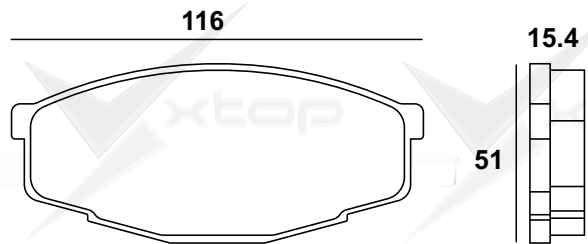
Zapatas de acero, rasuradas y  
planchadas para un ensamble  
perfecto

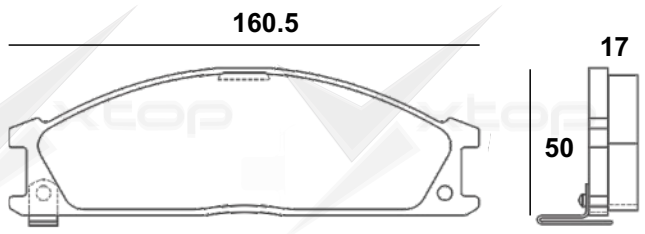
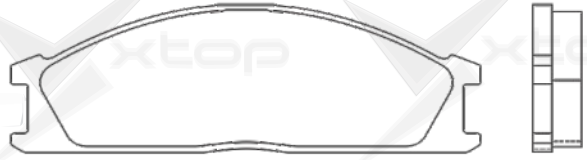




XHD050	DELANTERA	TRASERA	APLICACIONES
	<b>X</b>		FORD F-200 86-91, LTD 1980, THUNDERBIRD 74-76, MERCURY GRAND MARQUIS 75-78 MARQUIS 73-74
		51	

XHD052	DELANTERA	TRASERA	APLICACIONES
	<b>X</b>		CHEVROLET C10 76-77, CAPRICE 1981, GMC C1500 80-86 JEEP GRAND WAGONEER 1990
		58.4	

XHD0207	DELANTERA	TRASERA	APLICACIONES
	<b>X</b>		ISUZU PICK UP 90-95, TOYOTA CRESSIDA 81-88, PICK UP 87-91
			

XHD0333	DELANTERA	TRASERA	APLICACIONES
	<b>X</b>		NISSAN D21 93-07, D22/NP300 08-15, FRONTIER 01-04, PATHFINDER 88-95 URVAN 2.4L 00-01
		17	



<b>XHD0368</b>	DELANTERA	TRASERA	APLICACIONES
	<b>X</b>		

<b>XHD0369</b>	DELANTERA	TRASERA	APLICACIONES
	<b>X</b>		

<b>XHD0387</b>	DELANTERA	TRASERA	APLICACIONES
	<b>X</b>		

<b>XHD0410</b>	DELANTERA	TRASERA	APLICACIONES
	<b>X</b>		



XHD0436	DELANTERA	TRASERA	APLICACIONES
	<b>X</b>		TOYOTA 4RUNNER 01-03, 1/2 TON 4WD 89-95

XHD0477	DELANTERA	TRASERA	APLICACIONES
	<b>X</b>		JEEP WRANGLE 93-96

XHD0611	DELANTERA	TRASERA	APLICACIONES
	<b>X</b>		TOYOTA 4RUNNER 92-00, T100 1995

XHD0679	DELANTERA	TRASERA	APLICACIONES
	<b>X</b>		NISSAN D21 93-07, D22/NP300 08-15, FRONTIER 01-04, PATHFINDER 88-95 URVAN 2.4L 00-01



<b>XHD0769</b>	DELANTERA	TRASERA	<b>APLICACIONES</b> GM KODIAK 95-00
	<b>X</b>		

<b>XHD0784</b>	DELANTERA	TRASERA	<b>APLICACIONES</b> GM AVALANCHE 2500 02-06, SUBURBAN/EXPRESS V8 5.3-6.0L 03-10 SILVERADO/C36 3500 V8 5.7L 01-07, HUMMER H2 6.0/6.2L 05-09, CHEYENNE 06-07
	<b>X</b>		

<b>XHD0785</b>	DELANTERA	TRASERA	<b>APLICACIONES</b> GM DEL. SUBURBAN 00-05, EXPRESS 2500 4.3L/VAN 1500 04-12, EXPRESS CARGO VAN 03-10, AVALANCHE 1500 01-07 ESCALADE 02-06, SILVERADO 1500 99-05, SONORA 00-06, TRA. AVALANCHE 02-06, C-3500 08-10, CHEYENNE 06-07 HUMMER H2 05-09, SILVERADO 2500 99-07, SUBURBAN 2500 08-13
	<b>X</b>	<b>X</b>	

<b>XHD0786A</b>	DELANTERA	TRASERA	<b>APLICACIONES</b> FORD F650/F750 05-09, F53 08-11, FREIGHTLINER M2 106 2011 GRUESO 20.3MM
	<b>X</b>	<b>X</b>	



XHD0790	DELANTERA	TRASERA	APLICACIONES
	<b>X</b>		JEEP GRAND CHEROKEE LAREDO/LIMITED V6 4.0L/V8 4.7L 99-02

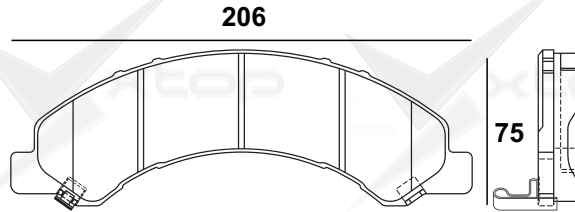
XHD0791	DELANTERA	TRASERA	APLICACIONES
		<b>X</b>	JEEP GRAND CHEROKEE LAREDO/LIMITED V6 4.0L/V8 4.7L 99-04

XHD0792	DELANTERA	TRASERA	APLICACIONES
		<b>X</b>	GM SILVERADO 1500/SIERRA 1500 99-00 GRUESO 17.1MM

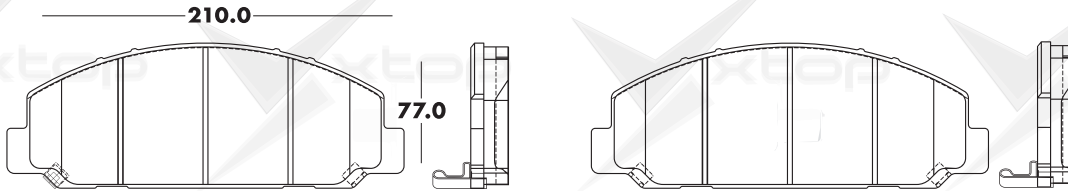
XHD0799	DELANTERA	TRASERA	APLICACIONES
	<b>X</b>		TOYOTA HILUX 2006, 2014, TACOMA (BASE/DLX/LIMITED/ PRE RUNNER/SR5/S-RUNNER) 00-02



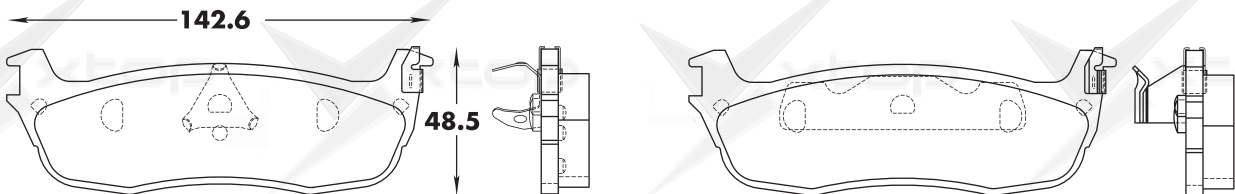
<b>XHD0825H</b>	DELANTERA	TRASERA	APLICACIONES
	<b>X</b>		ISUZU ELF 300/400 07- , HINO 300 (514/516/616/716/816) 15- C/HERRAJES



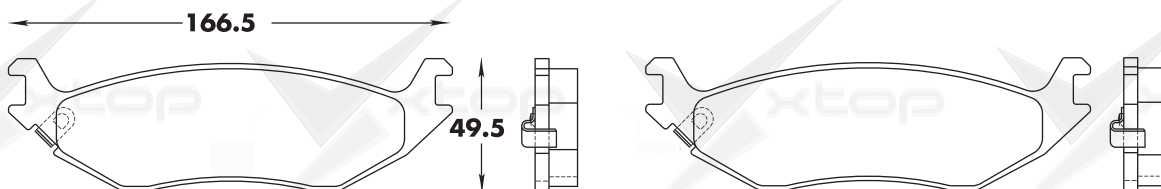
<b>XHD0827H</b>	DELANTERA	TRASERA	APLICACIONES
	<b>X</b>		ISUZU ELF 450 05-09, ELF 500 08- , ELF 600 09- C/HERRAJES



<b>XHD0879</b>	DELANTERA	TRASERA	APLICACIONES
		<b>X</b>	FORD EXPEDITION 97-02, F-250 1997, LOBO 00-03

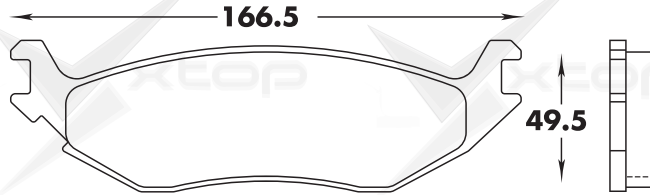


<b>XHD0898</b>	DELANTERA	TRASERA	APLICACIONES
	<b>X</b>		RAM 1500 3.7/4.7/5.7/5.9L 02-03

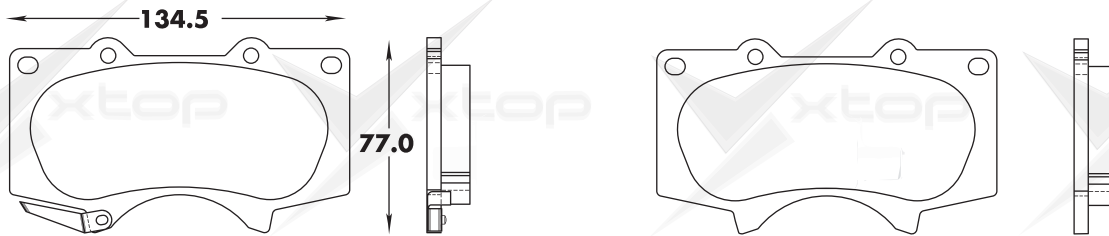




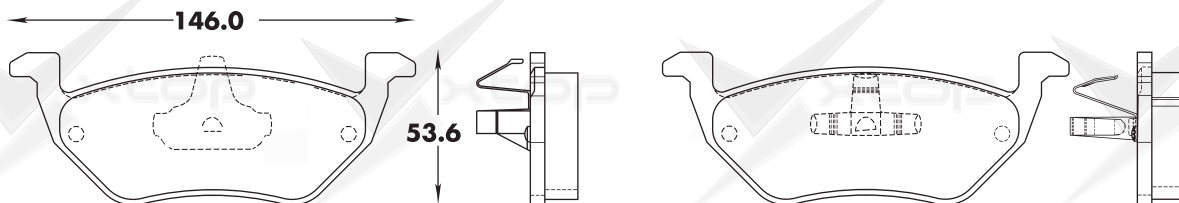
XHD0967	DELANTERA	TRASERA	APLICACIONES
	<b>X</b>		CHRYSLER ASPEN 07-09, DODGE DURANGO 04-09, RAM 1500 04-13 RAM 1500 VAN 2003, RAM 1500 11-18



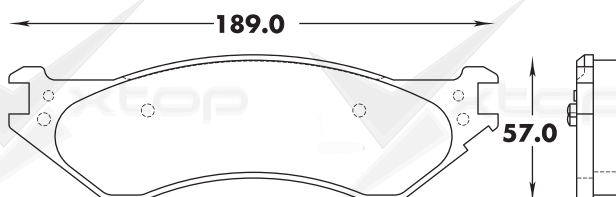
XHD0976	DELANTERA	TRASERA	APLICACIONES
	<b>X</b>		TOYOTA 4RUNNER 04-10, TACOMA 06-13, FJ CRUISER 07-10 HIGHLANDER 06-07 SEQUOIA 04-05, TUNDRA 03-06



XHD1055	DELANTERA	TRASERA	APLICACIONES
		<b>X</b>	FORD ESCAPE 04-12, ESCAPE HYBRID 06-09, MARINER 05-09, MAZDA TRIBUTE 09

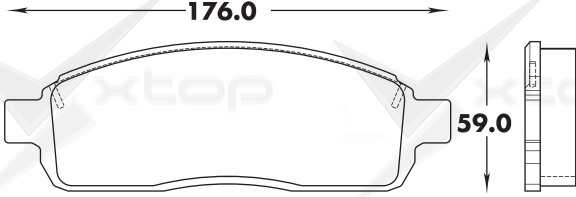


XHD1079	DELANTERA	TRASERA	APLICACIONES
	<b>X</b>		DODGE DURANGO 04-06, RAM 1500 04-05

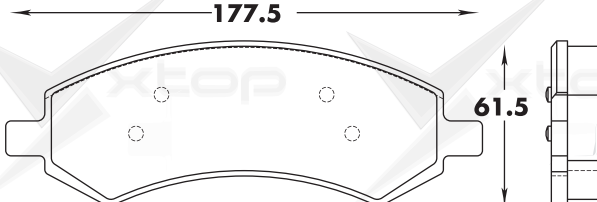




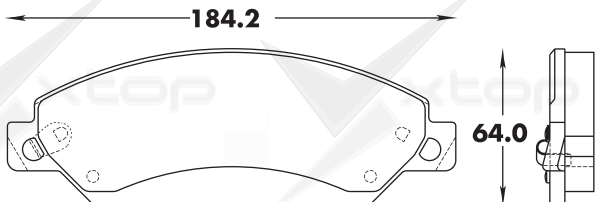

XHD1083	DELANTERA	TRASERA	APLICACIONES
	<b>X</b>		FORD F150/F250/LOBO V8 4.6-5.4L 05-08, LINCOLN MARK LT 06-08 CON GRAPA



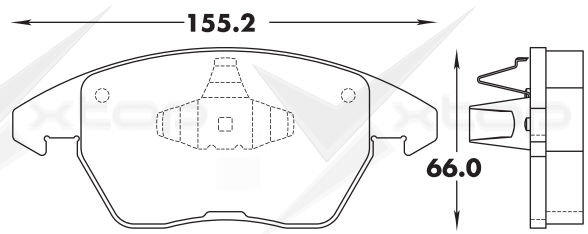
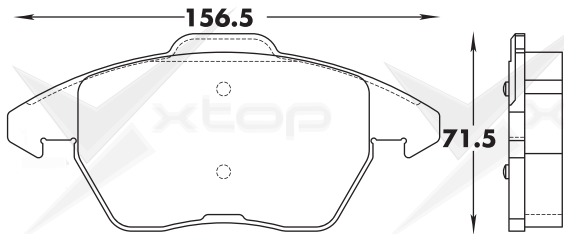
XHD1084	DELANTERA	TRASERA	APLICACIONES
	<b>X</b>		DODGE DURANGO LIMITE ST SXT V8 4.7/5.7L 07-10, DAKOTA SLT V6 3.7L 05-10 RAM 1500 07-10 ASPEN 07-09, MITSUBISHI RAIDER 07-09



XHD1092	DELANTERA	TRASERA	APLICACIONES
		<b>X</b>	GM AVALANCHE/TAHOE/ESCALADE/YUKON 07-09, CHEYENNE 1500/SILVERADO 1500 SUBURBAN 05-09 AVALANCHE 2500/K-1500/SIERRA 1500/ SILVERADO 05-07, C-1500 04-08, C-2500 05-07

XHD1107A	DELANTERA	TRASERA	APLICACIONES
	<b>X</b>		AUDI A3 06-08, SEAT ALTEA 05-15, IBIZA 09-16, LEON CUPRA 08-16 TOLEDO 06-07, VW BEETLE 12-15 BORA 05-10, CADDY 14-16, EOS 07-10, GTI 07-13, JETTA 06-16 JETTA BICENTENARIO 10, PASSAT 05-10 C/SENSOR



XHD1174A	DELANTERA	TRASERA	APLICACIONES
	<b>X</b>		VW EUROVAN 06-09, TRANSPORTER 10-20 C/SENSOR

XHD1194	DELANTERA	TRASERA	APLICACIONES
		<b>X</b>	CADILLAC ESCALADE 6.2L 07-18, CHEVROLET AVALANCHE 07-13 CHETENNE 2010, SILVERADO 1500 07-18, SUBURBAN 1500 07-18, TAHOE 07-18 GMC SIERRA 1500 07-17, SIERRA 4WD 09-12, SIERRA DENALI 07-10, YUKON/YUKON XL 1500 07-17

XHD1265	DELANTERA	TRASERA	APLICACIONES
	<b>X</b>		G STERLING 360 07-09, MITSUBISHI FUSO FE120/FE125 08-09, FE140 06-07

XHD1345	DELANTERA	TRASERA	APLICACIONES
	<b>X</b>		NISSAN TIIDA 06-17



<b>XHD1363</b>	DELANTERA	TRASERA	APLICACIONES
	<b>X</b>		GMC YUKON/SIERRA 1500 08-16, SAVANNA 1500 09-13, SILVERADO 1500/TAHOE/SUBURBAN 1500 08-17 AVALANCHE 08-13, EXPRESS 1500 09-14, CHEYENNE 2010, SILVERADO 2500 11-17, CADILLAC ESCALADE 08-17

<b>XHD1375</b>	DELANTERA	TRASERA	APLICACIONES
	<b>X</b>		AUDI Q3 15-17, VW PASSAT 11-17, TIGUAN 09-16 C/SENSOR

<b>XHD1421</b>	DELANTERA	TRASERA	APLICACIONES
	<b>X</b>		BUICK LACROSSE 10-17, CHEVROLET EQUINOX 10-17, MALIBU 13-17, IMPALA 14-15 GMC TERRAIN 10-15, BUICK REGAL 11-17

<b>XHD1454</b>	DELANTERA	TRASERA	APLICACIONES
	<b>X</b>		FORD FISETA 11-19, FIGO 15- , MAZDA 2 11-15 SUZUKI SWIFT BOOSTERJET 1.0L/GLS, GLX 1.2L/SPORT 1.4L 13-



<b>XHD1455</b>	DELANTERA	TRASERA	APLICACIONES
	<b>X</b>		

<b>XHD1498</b>	DELANTERA	TRASERA	APLICACIONES
		<b>X</b>	

<b>XHD1540A</b>	DELANTERA	TRASERA	APLICACIONES
	<b>X</b>		

<b>XHD1550</b>	DELANTERA	TRASERA	APLICACIONES
	<b>X</b>		



<b>XHD1555</b>	DELANTERA	TRASERA	APLICACIONES
	<b>X</b>		VW AMAROK 2.0L 10-19, FORD TRANSIT 2013

<b>XHD1590</b>	DELANTERA	TRASERA	APLICACIONES
	<b>X</b>		CHEVROLET SPARK 11-16, BEAT 17-, SONIC 16-18 (SIMILAR D1269)

<b>XHD1592</b>	DELANTERA	TRASERA	APLICACIONES
	<b>X</b>		NISSAN VERSA 11-19, MARCH 12-, NOTE 14- (FRITEC F381)

<b>XHD1676</b>	DELANTERA	TRASERA	APLICACIONES
	<b>X</b>		FORD RANGER 2.2L DIESEL/2.5L GASOLINA 13-



XHD1774	DELANTERA	TRASERA	APLICACIONES
	<b>X</b>		FORD TRANSIT 2.2L DIESEL 14-20, 3.2/3.7L GAS 15-19, 3.5L GAS 15-, 2.0L DIESEL 21-

XHD1775	DELANTERA	TRASERA	APLICACIONES
		<b>X</b>	FORD TRANSIT 2.2/3.2/3.5/3.7L 14-19

XHD1786	DELANTERA	TRASERA	APLICACIONES
		<b>X</b>	FORD TRANSIT 2.2L 14-19, 3.7L 15-17

XHD1787	DELANTERA	TRASERA	APLICACIONES
		<b>X</b>	FORD TRANSIT 2.2L 14-19, 3.7L 15-17



XHD1691	DELANTERA	TRASERA	APLICACIONES
		<b>X</b>	

XHD1700H	DELANTERA	TRASERA	APLICACIONES
	<b>X</b>		

XHD1717	DELANTERA	TRASERA	APLICACIONES
	<b>X</b>		

XHD1746A	DELANTERA	TRASERA	APLICACIONES
		<b>X</b>	



<b>XHD1911</b>	DELANTERA	TRASERA	APLICACIONES
	<b>X</b>		NISSAN NP300/NP300 FRONTIER 16- (F521)

<b>XHD1926</b>	DELANTERA	TRASERA	APLICACIONES
		<b>X</b>	PEUGEOT PARTNER MAXI/TEPEE 1.6L 12-19

<b>XHD1942</b>	DELANTERA	TRASERA	APLICACIONES
	<b>X</b>		GM AVEO 1.5L 18-

<b>XHD1968</b>	DELANTERA	TRASERA	APLICACIONES
	<b>X</b>		AUDI A3 1.4/2.0L 14-17, SEAT LEON 2.0L 15-17, VW GOLF 1.4L TSI 14-17 JETTA MK6 C/SENSOR



XHD2018	DELANTERA	TRASERA	APLICACIONES
	<b>X</b>		FORD F450/F550 17-

XHD2058	DELANTERA	TRASERA	APLICACIONES
	<b>X</b>		TOYOTA HILUX 2.7L GASOLINA 17- CABINA SENCILLA

XHD2173S	DELANTERA	TRASERA	APLICACIONES
	<b>X</b>		CHEVROLET SILVERADO 19- , CHEYENNE 20- , GMC SIERRA 19- C/UN CABLE

XHD2174S	DELANTERA	TRASERA	APLICACIONES
		<b>X</b>	CHEVROLET SILVERADO 19- , CHEYENNE 20- , GMC SIERRA 19- C/UN CABLE



<b>XHD2196</b>	<b>DELANTERA</b>	<b>TRASERA</b>	<b>APLICACIONES</b>
	<b>X</b>		VW AMAROK V6 3.0L TDI 18-

<b>XHD2197</b>	<b>DELANTERA</b>	<b>TRASERA</b>	<b>APLICACIONES</b>
		<b>X</b>	VW AMAROK V6 3.0L TDI 18-, CRAFTER 18-

# Balata Freno De Disco

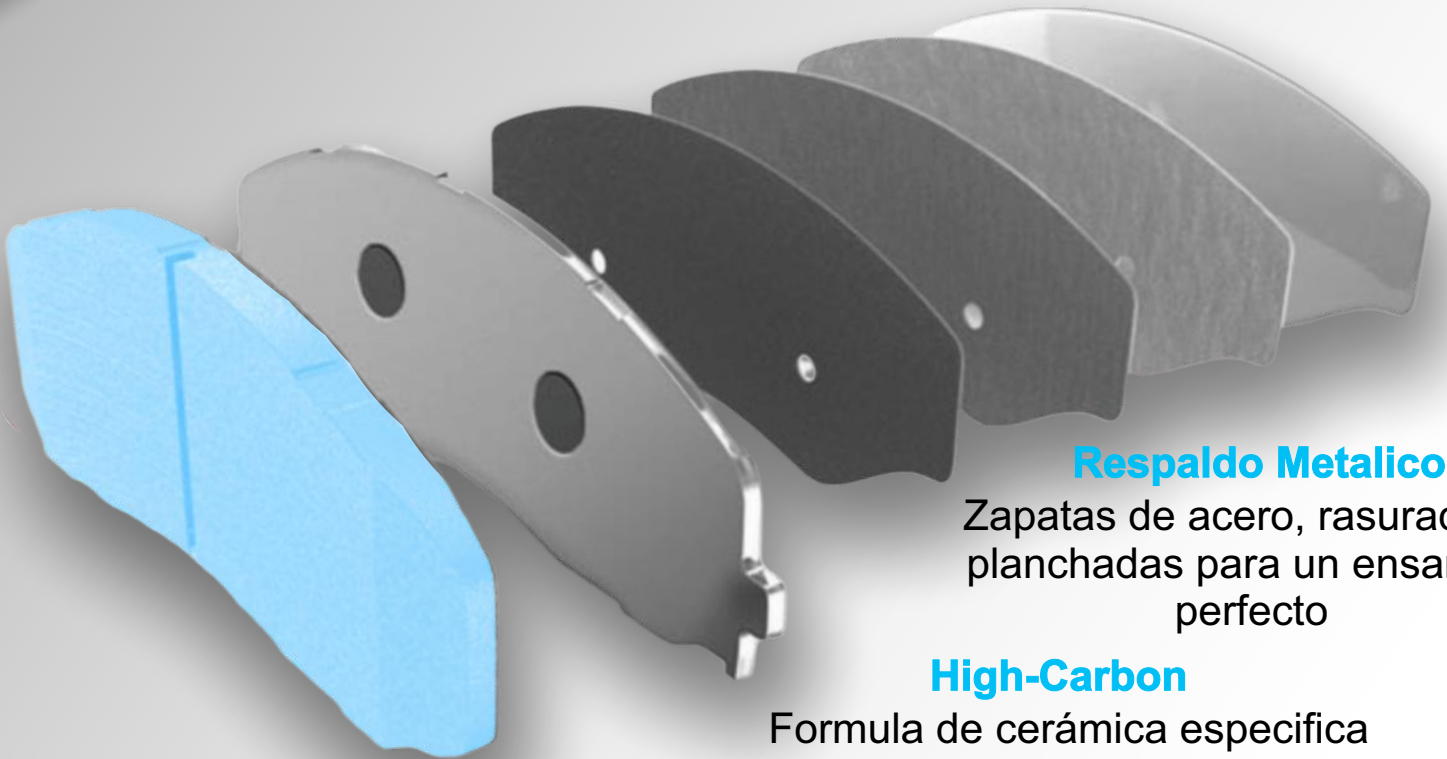


xTop

**Brake Pads**  
BALATAS PARA DISCOS  
HIBRIDA

## Ranuras y chanflanes

Minimizan esfuerzos mecánicos  
vibración y ruido



## Respaldo Metalico

Zapatas de acero, rasuradas y  
planchadas para un ensamble  
perfecto

## High-Carbon

Formula de cerámica especifica  
para cada auto

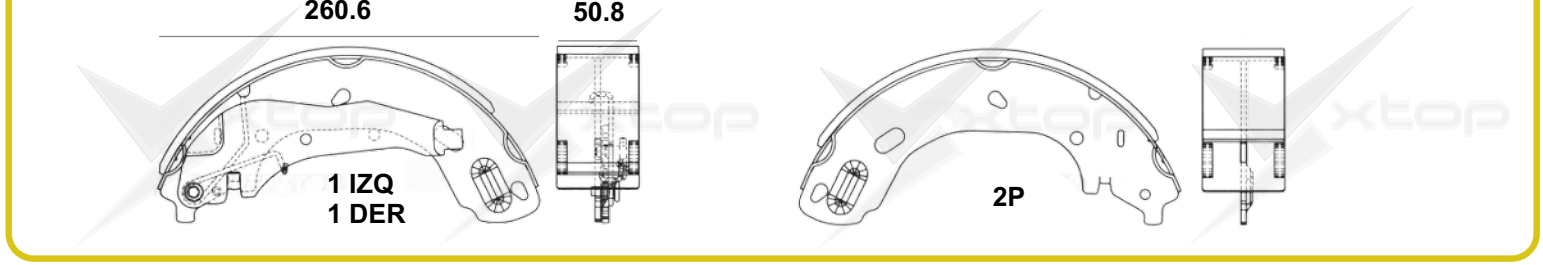
## Lamina Anti-Ruido

Se utiliza la mas avanzada  
tecnología de laines anti-ruido  
para asegurar un silencioso frenado  
y confortante para el usuario





XS20A	DELANTERA	TRASERA	APLICACIONES
		<b>X</b>	NS NP300 09-15



XS5RB	DELANTERA	TRASERA	APLICACIONES
		<b>X</b>	NS KICKS 17-



XS0124	DELANTERA	TRASERA	APLICACIONES
		<b>X</b>	SUZUKI IGNIS 17-



XS0127	DELANTERA	TRASERA	APLICACIONES
		<b>X</b>	VW VIRTUS 1.6L 20-

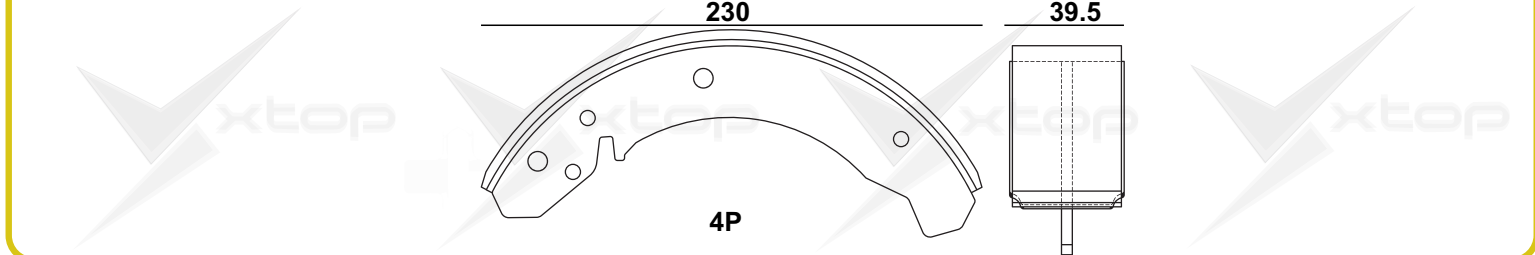




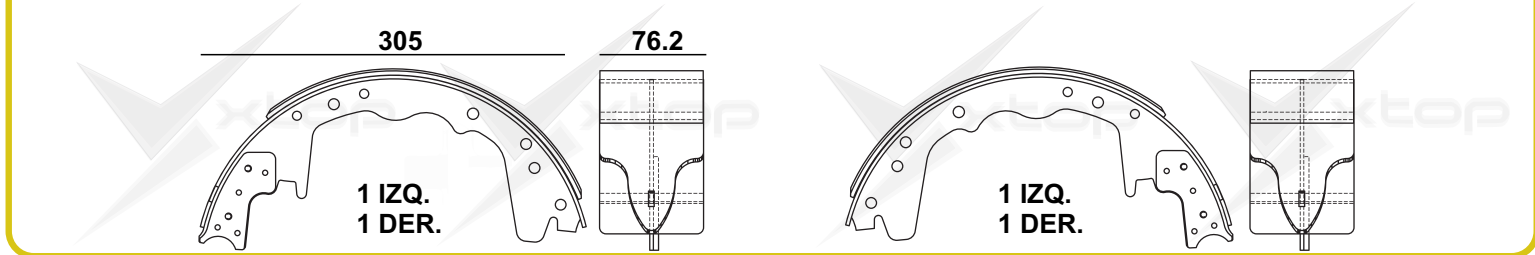
XS0128	DELANTERA	TRASERA	APLICACIONES
		<b>X</b>	RENAULT KWID 1.0L 19-



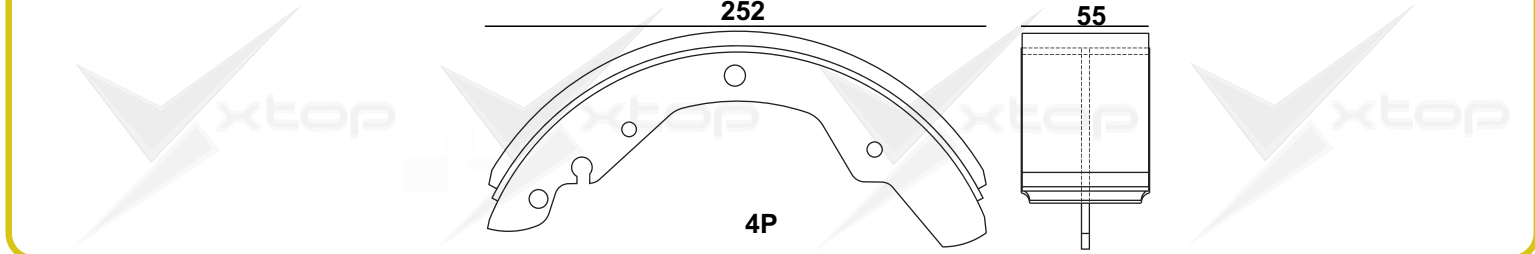
XS0315	DELANTERA	TRASERA	APLICACIONES
		<b>X</b>	VW SEDÁN 72-04



XS0358	DELANTERA	TRASERA	APLICACIONES
		<b>X</b>	DODGE RAM VAN / WAGON B2500/B3500 94-97, D250 80-93, F350 DOBLE RODAJE 80-95 DODGE 70-93



XS0397	DELANTERA	TRASERA	APLICACIONES
		<b>X</b>	VW CARAVELLE 88-96, COMBI/PANEL 74-01 (CON LEVAS)





<b>XS0473</b>	<b>DELANTERA</b>	<b>TRASERA</b>	<b>APLICACIONES</b>
		<b>X</b>	GM SUBURBAN 84-99, EXPRESS VAN G1500/G2500 97-01, CHEYENNE 2500 92-97 C-1500/C-20 78-91, C-2500 94-99

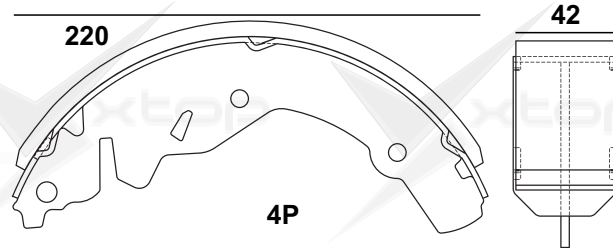
<b>XS0495</b>	<b>DELANTERA</b>	<b>TRASERA</b>	<b>APLICACIONES</b>
		<b>X</b>	VW POINTER PICK UP Y POINTER BRASILEÑOS

<b>XS0503</b>	<b>DELANTERA</b>	<b>TRASERA</b>	<b>APLICACIONES</b>
		<b>X</b>	VW COMBI 1.6L 72-01 C/PALANCAS

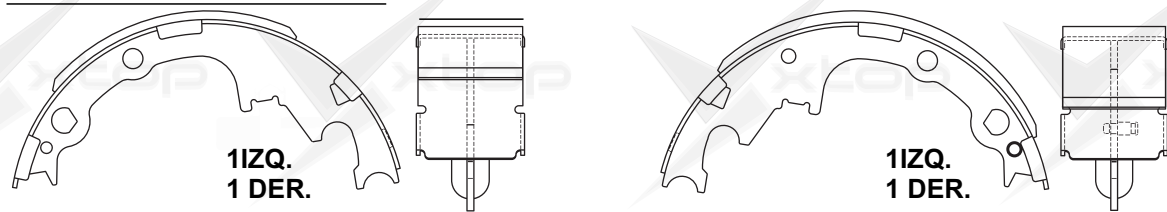
<b>XS0514</b>	<b>DELANTERA</b>	<b>TRASERA</b>	<b>APLICACIONES</b>
		<b>X</b>	GM ASTRO VAN/SAFARI 90-02, BLAZER 95-97, EL CAMINO 83-87, S10 82-05, CAMARO 82-97 CUTLASS 85-89 MALIBU 80-83 JIMMY 95-97, S15 82-90, SONOMA 95-03, FIREBIRD 80-97 GRAND PRIX 83-88



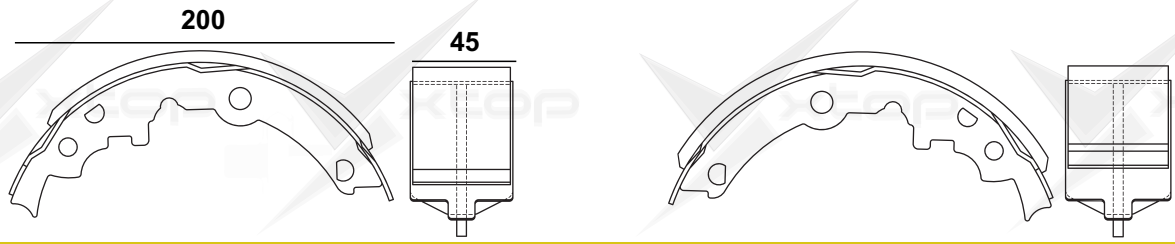
XS0520	DELANTERA	TRASERA	APLICACIONES
		<b>X</b>	CHRYSLER/DODGE STRATUS 95-07, LeBARON/DAYTONA 86-95, NEW YORKER 86-91, PT CRUISIER 01-04, PHANTOM 87-89, SHADOW 89-94, SPIRIT 90-95, VOLARE 86-89



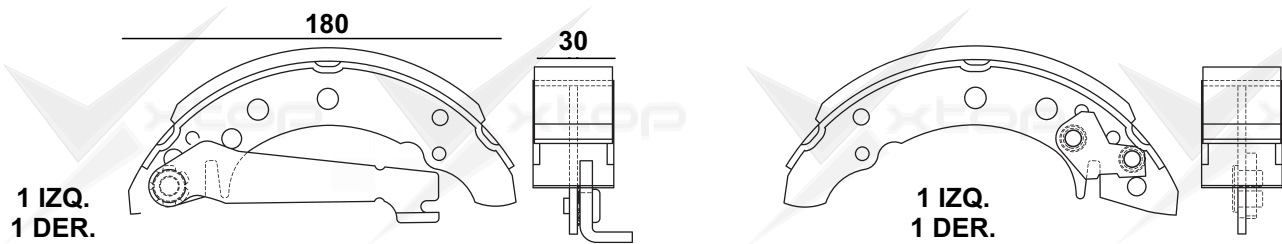
XS0538	DELANTERA	TRASERA	APLICACIONES
		<b>X</b>	CHRYSLER/DODGE CARAVAN 84-93, CHEROKEE/TOWN & COUNTRY/WRANGLER 90-93, COMANCHE 90-92 DAKOTA/G.CARAVAN/G.VOYAGER 87-93, MINI RAM VAN 84-88, VOYAGER 84-91



XS0553	DELANTERA	TRASERA	APLICACIONES
		<b>X</b>	GM CAVALIER 2.8L/Z24 SPORT 3.1L 90-94, CAVALIER Z24 SPORT 95-96, 2.2L 96-02, SUNFIRE 2.4L 97-01

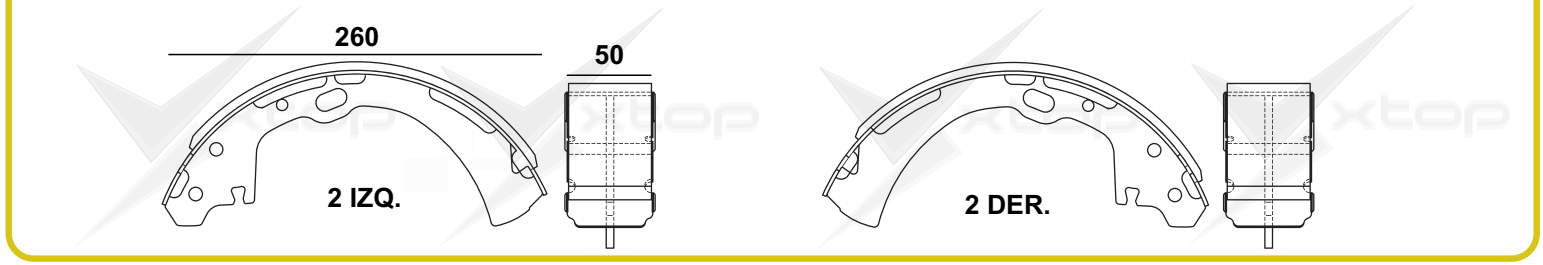


XS0559	DELANTERA	TRASERA	APLICACIONES
		<b>X</b>	VW GOLF/JETTA A2 87-92, ATLANTIC/CARIBE/CORSAR 79-87, DERBY 94-00, JETTA A3 93-95

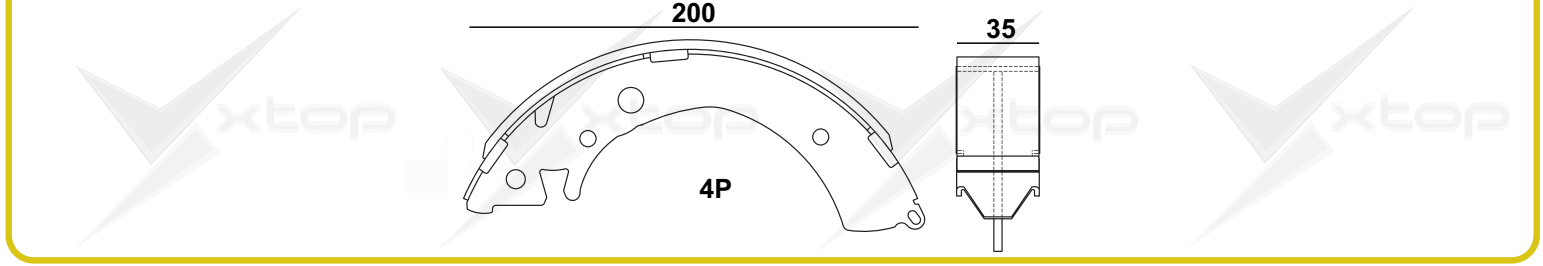




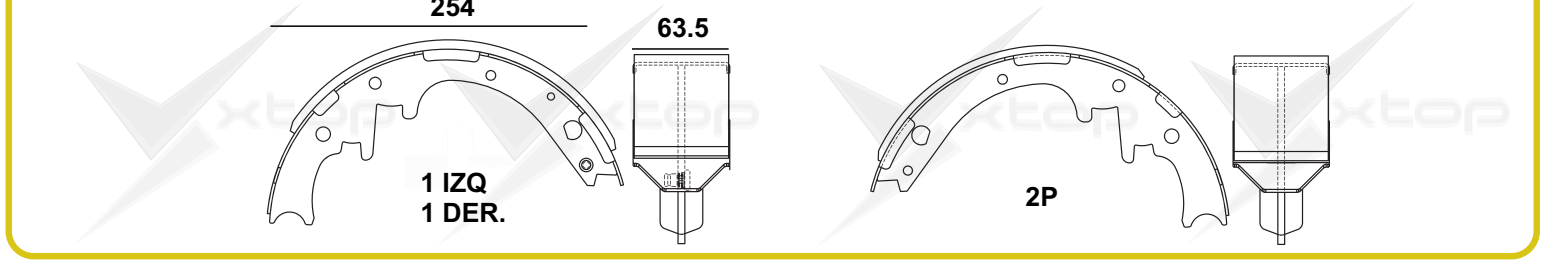
<b>XS0574</b>	<b>DELANTERA</b>	<b>TRASERA</b>	<b>APLICACIONES</b>
		<b>X</b>	NISSAN PICK UP D21 94-09, D22/NP300 08-15, URVAN 00-17, FRONTIER 98-13 PATHFINDER 89-94, PICK UP 90-97



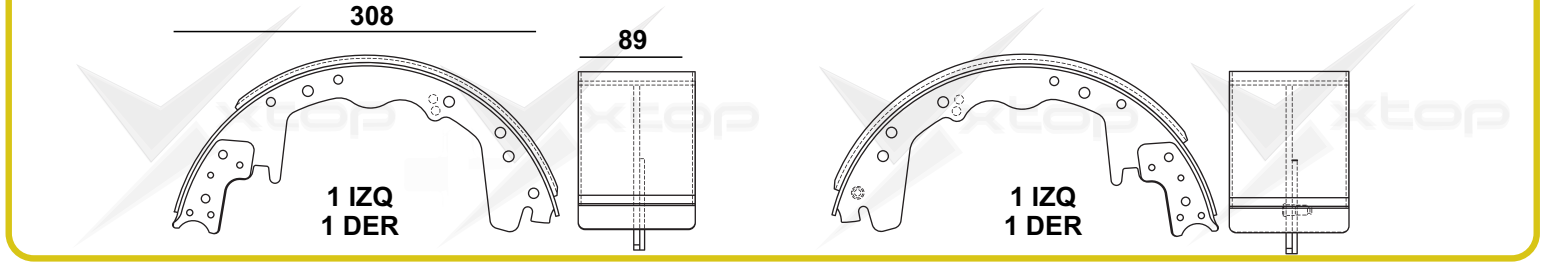
<b>XS0576</b>	<b>DELANTERA</b>	<b>TRASERA</b>	<b>APLICACIONES</b>
		<b>X</b>	HONDA CIVIC 92-05, FIT 07-11, ACURA EL 97-00



<b>XS0581</b>	<b>DELANTERA</b>	<b>TRASERA</b>	<b>APLICACIONES</b>
		<b>X</b>	FORD EXPLORER/RANGER 87-94, AEROSTAR

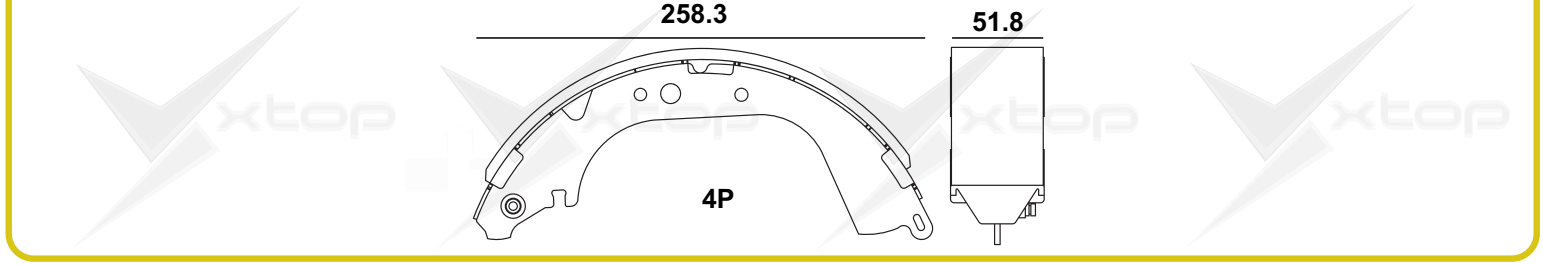


<b>XS0583</b>	<b>DELANTERA</b>	<b>TRASERA</b>	<b>APLICACIONES</b>
		<b>X</b>	FORD TRUCK P350 MICROBUS 86-97, CHEVROLET MICROBUS 88-97 DODGE RAM2500 99-08 RAM 3500 00-01, RAM 1500 VAN 00-03, MAZDA B2500 1998

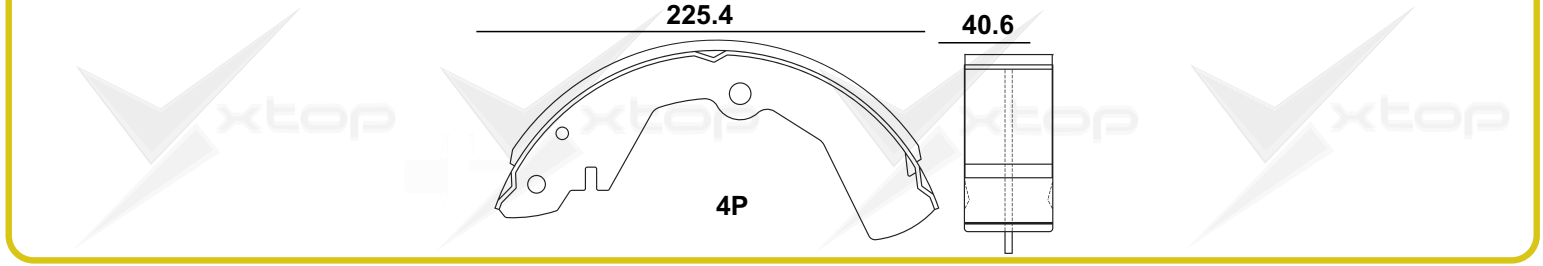




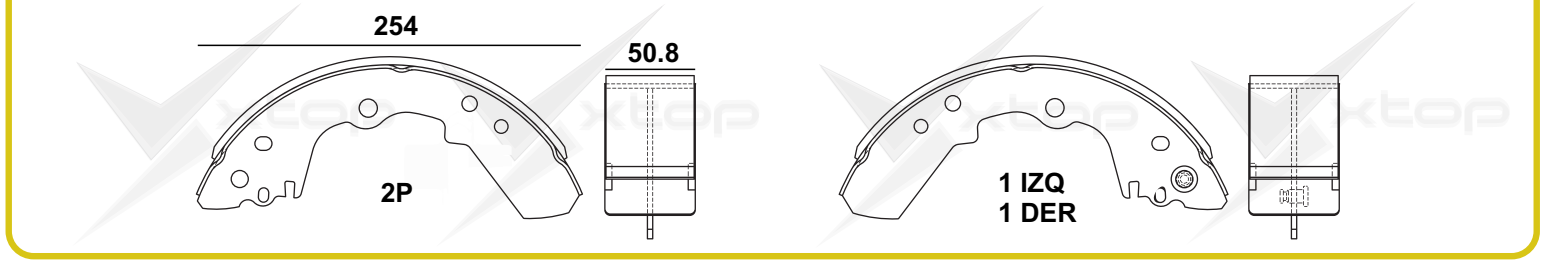
<b>XS0589</b>	<b>DELANTERA</b>	<b>TRASERA</b>	<b>APLICACIONES</b>
		<b>X</b>	TOYOTA TRUCK 4RUNNER 90-00, PICK UP 90-95, TACOMA 95-02, T100 93-98 TUNDRA 00-02



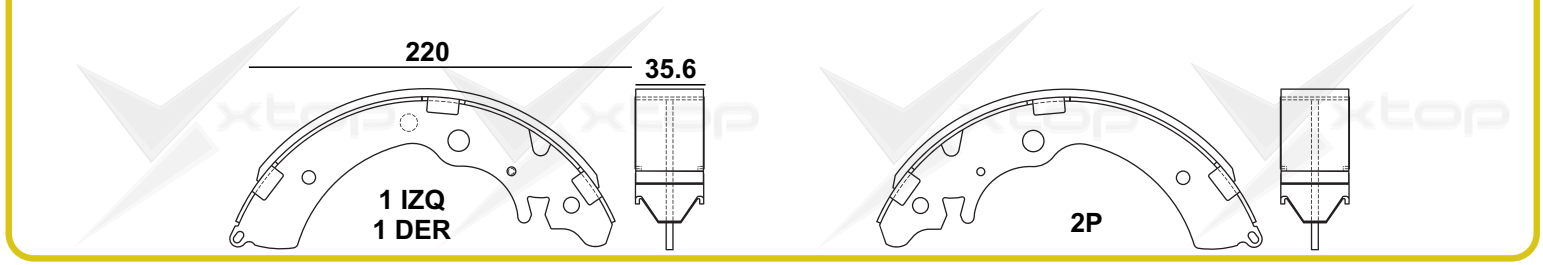
<b>XS0607</b>	<b>DELANTERA</b>	<b>TRASERA</b>	<b>APLICACIONES</b>
		<b>X</b>	NISSAN MAXIMA 90-94, TSUBAME 93-04, STANZA 87-92



<b>XS0619</b>	<b>DELANTERA</b>	<b>TRASERA</b>	<b>APLICACIONES</b>
		<b>X</b>	GM LUV 81-03, HONDA PASSPORT 94-98, ISUZU AMIGO 90-94, PICK UP 90-95 RODEO 91-98

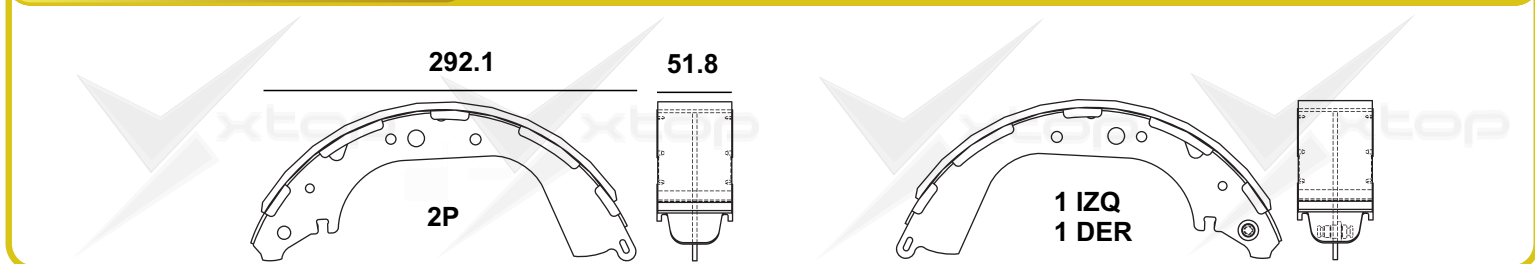


<b>XS0627</b>	<b>DELANTERA</b>	<b>TRASERA</b>	<b>APLICACIONES</b>
		<b>X</b>	HONDA BR-V 18-, ACCORD 92-07, CIVIC 03-09, CR-V 97-01

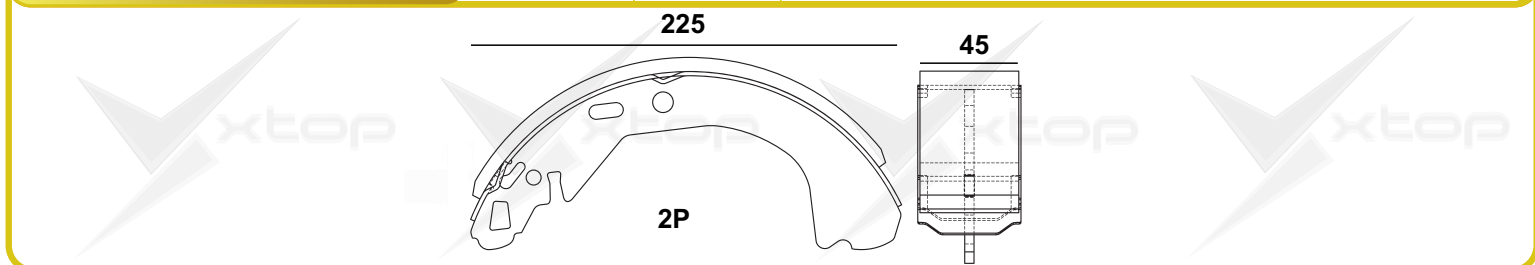




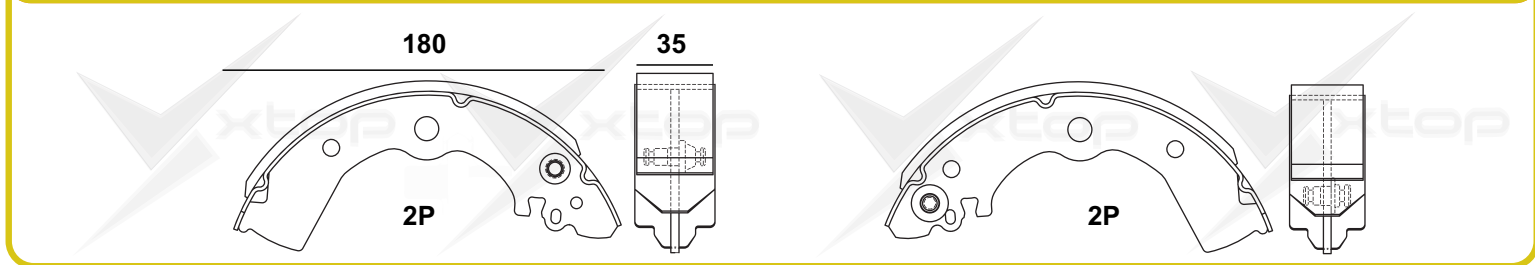
<b>XS0631</b>	<b>DELANTERA</b>	<b>TRASERA</b>	<b>APLICACIONES</b>
		<b>X</b>	NISSAN FRONTIER 98-04, PATHFINDER 96-04, INFINITI Q45 97-03 TOYOTA 4RUNNER 90-00 PICK UP 90-95, TACOMA 95-02, T100 93-98, TUNDRA 00-02, ISUZU PICK UP 92-95



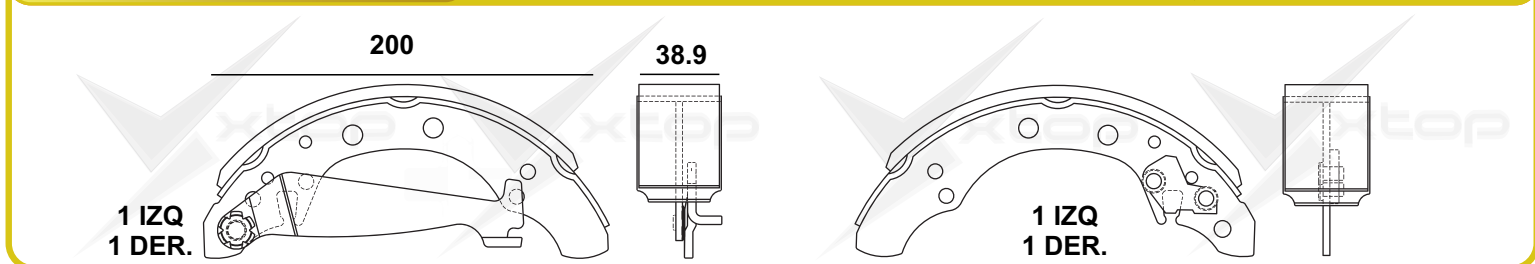
<b>XS0636</b>	<b>DELANTERA</b>	<b>TRASERA</b>	<b>APLICACIONES</b>
		<b>X</b>	GM VENTURE 97-04, CAVALIER 95-97, CENTURY 90-96, CUTLASS 91-96, LUMINA 94-01



<b>XS0638</b>	<b>DELANTERA</b>	<b>TRASERA</b>	<b>APLICACIONES</b>
		<b>X</b>	NISSAN SENTRA B14 96-00, TS-III GS 92-15, TSUBAME 92-05, 200 SX 95-97 NX 1.6L 91-93

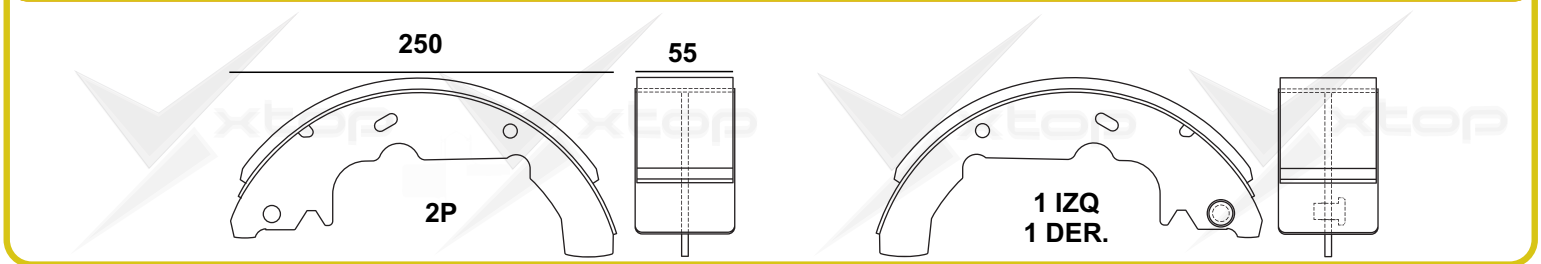


<b>XS0662</b>	<b>DELANTERA</b>	<b>TRASERA</b>	<b>APLICACIONES</b>
		<b>X</b>	VW CABRIOLET 97-98, CROSSFOX 07-13, DERBY 99-09, GOL 09-11, GOLF/JETTA A3 93-99 LUPO/POLO 04-09, POINTER, POINTER P/UP 98-09 SPORTVAN 07-10, VAN 03-09 SEAT CORDOBA 01-02, IBIZA 01-02





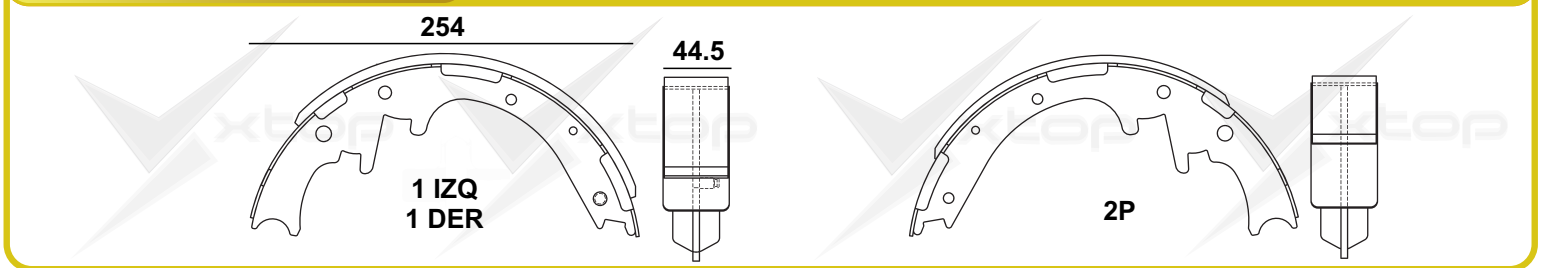
XS0665	DELANTERA	TRASERA	APLICACIONES
		<b>X</b>	FORD WINDSTAR GL 95-03, VILLAGER 93-03, NISSAN QUEST 93-03



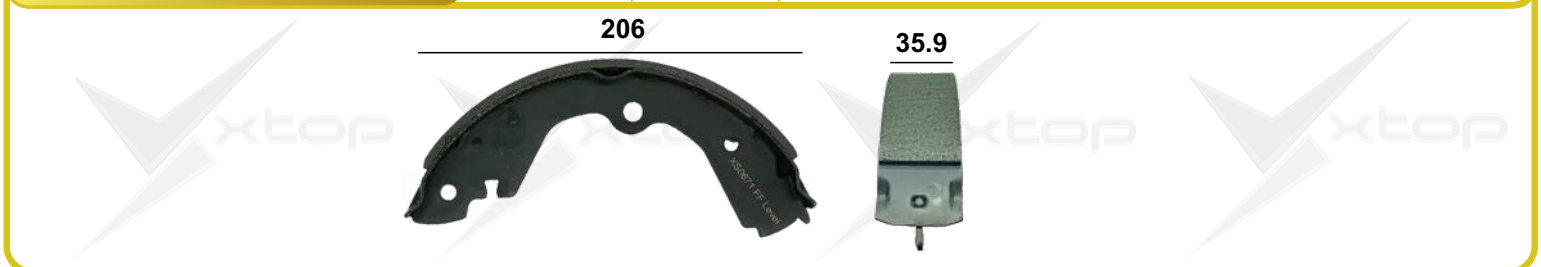
XS0668	DELANTERA	TRASERA	APLICACIONES
		<b>X</b>	ISUZU ELF 100 16- DEL./TRA., ISUZU NPR 88-93, CHEVROLET W4500 TILTMASER 92-93 GMC W4500 FORWARD 92-93



XS0670	DELANTERA	TRASERA	APLICACIONES
		<b>X</b>	JEEP CHEROKEE 94-01, GRAND CHEROKEE 93-94, LIBERTY 02-03

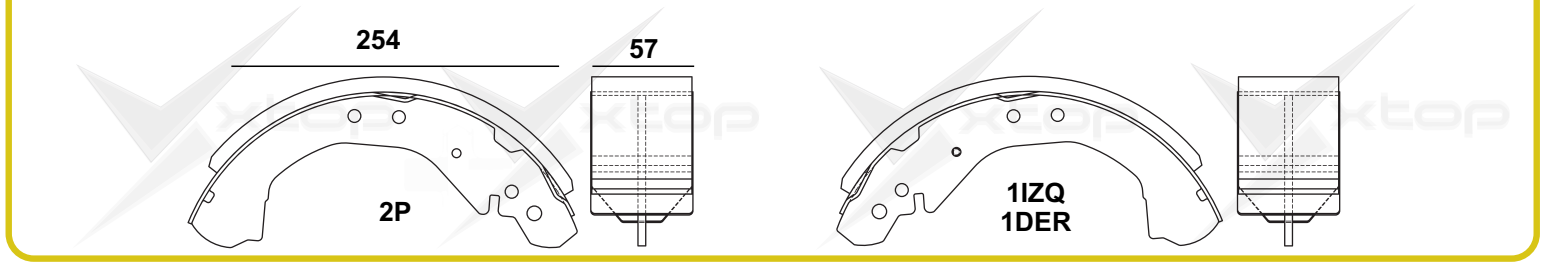


XS0671	DELANTERA	TRASERA	APLICACIONES
		<b>X</b>	NISSAN ALTIMA 96-99





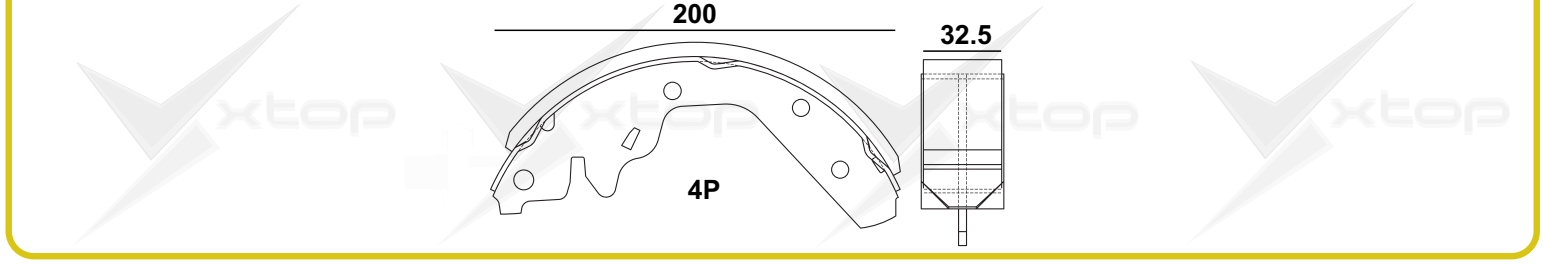
<b>XS0675</b>	<b>DELANTERA</b>	<b>TRASERA</b>	<b>APLICACIONES</b>
		<b>X</b>	GM C1500 88-99, K1500 88-00, 400SS PICK UP 92-97, TAHOE 95-00, YUKON 93-98 BLAZER 92-94, SILVERADO 95-96



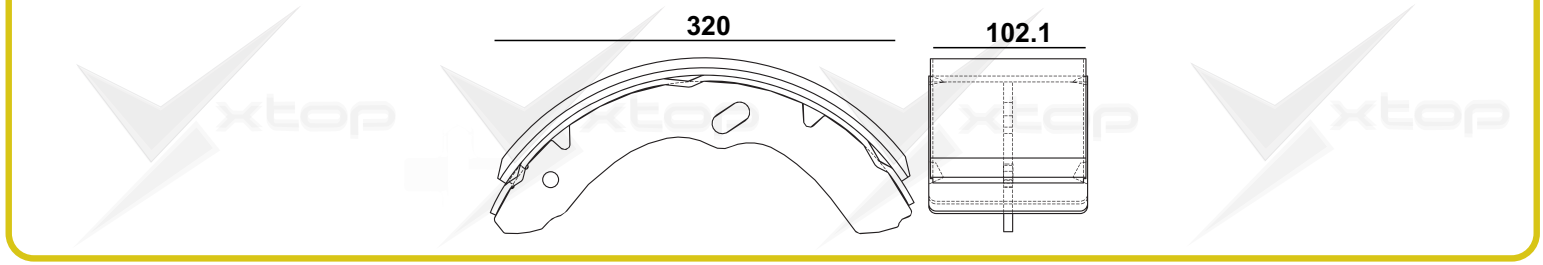
<b>XS0678</b>	<b>DELANTERA</b>	<b>TRASERA</b>	<b>APLICACIONES</b>
		<b>X</b>	FORD ESCORT 95-96, ESCORT WAGON 95-96



<b>XS0689</b>	<b>DELANTERA</b>	<b>TRASERA</b>	<b>APLICACIONES</b>
		<b>X</b>	DODGE NEON 95-06

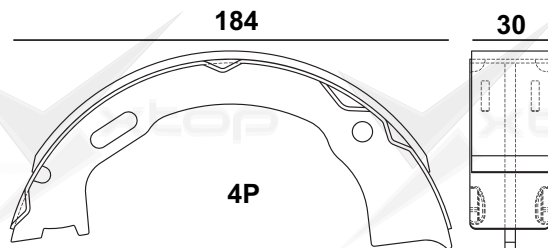


<b>XS0699</b>	<b>DELANTERA</b>	<b>TRASERA</b>	<b>APLICACIONES</b>
		<b>X</b>	ISUZU ELF 400 07-18

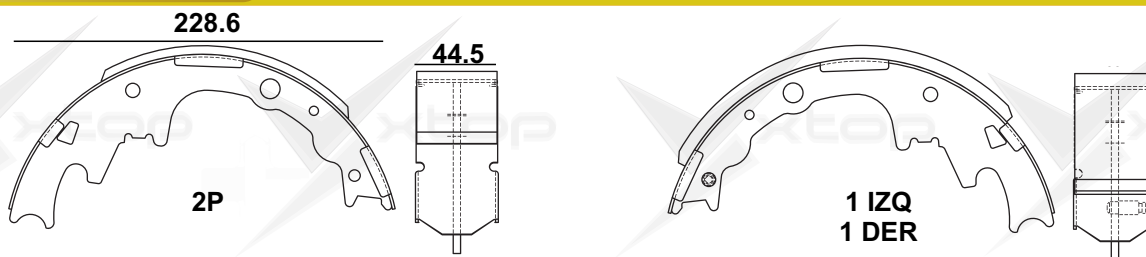




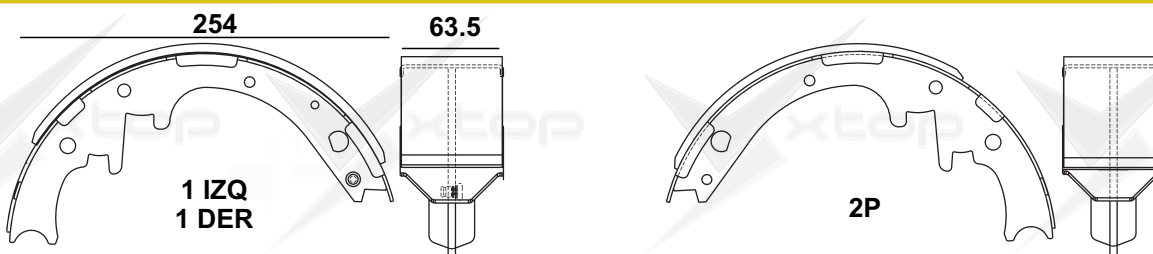
XS0701	DELANTERA	TRASERA	APLICACIONES
		<b>X</b>	JEEP G.CHEROKEE 95-98; FORD EXPLORER 95-99, GRAND MARQUIS 96-02, FORD WINDSTAR 95-03, MOUNTAINEER 97-99



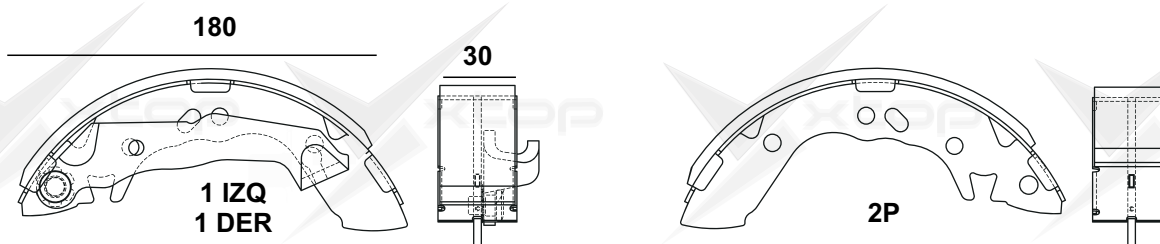
XS0704	DELANTERA	TRASERA	APLICACIONES
		<b>X</b>	FORD RANGER 95-09, MAZDA B-3000/4000 95-98, B-2500 98



XS0705	DELANTERA	TRASERA	APLICACIONES
		<b>X</b>	FORD EXPLORER 95-09, RANGER 99-06, RANGER 2WD/4WD 2005, MAZDA B-2300 02-03, B-2500 98-01, B-3000 98-03, B-4000 99-04



XS0707	DELANTERA	TRASERA	APLICACIONES
		<b>X</b>	DODGE ATOS 00-12, HYUNDAI VERNA 2006, ACCENT 95-99





XS0714	DELANTERA	TRASERA	APLICACIONES
		<b>X</b>	CHRYSLER/DODGE CARAVAN/G.CARAVAN/TOWN & COUNTRY 96-04, G.VOYAGER 96-00

XS0723	DELANTERA	TRASERA	APLICACIONES
		<b>X</b>	FORD E-150 97-03, E-150 ECONOLINE 03-06, F-150/F-250 97-09, LOBO 96-01 RAM 1500/2500 98-02

XS0726	DELANTERA	TRASERA	APLICACIONES
		<b>X</b>	ISUZU ELF 300 07-18

XS0736	DELANTERA	TRASERA	APLICACIONES
		<b>X</b>	FORD CONTOUR 97-00, COURIER 03-09, COUGAR 99-01, MYSTIQUE 97-00



<b>XS0738</b>	DELANTERA	TRASERA	APLICACIONES
		<b>X</b>	GM TRACKER 2 PTS. 99-04, TRACKER 4 PTS. 99-08, SUZUKI GRAN VITARA 99-07

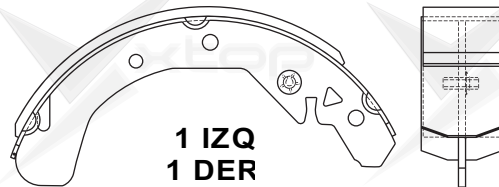
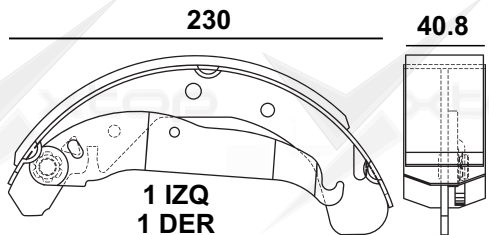
<b>XS0740</b>	DELANTERA	TRASERA	APLICACIONES
		<b>X</b>	GM OPEL VECTRA, OPTRA 06-10

<b>XS0745</b>	DELANTERA	TRASERA	APLICACIONES
		<b>X</b>	FORD RANGER PICK UP L4 2.3-2.5L 98-02, MARQUIS 96-00, JEEP CHEROKEE 95-96

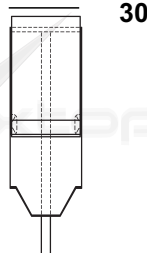
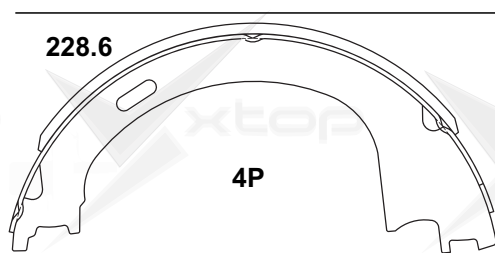
<b>XS0747</b>	DELANTERA	TRASERA	APLICACIONES
		<b>X</b>	FORD FOCUS 00-11, FOCUS VAGONETA 00-10, FOCUS ZX3 00-04



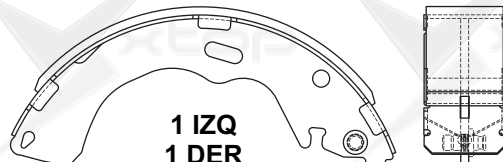
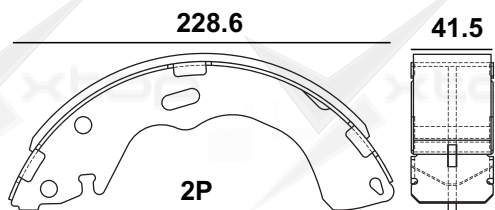
<b>XS0751</b>	<b>DELANTERA</b>	<b>TRASERA</b>	<b>APLICACIONES</b>
		<b>X</b>	GM TORNADO 04-13, MERIVA 04-09



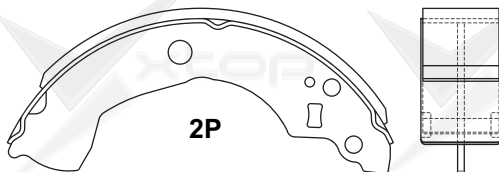
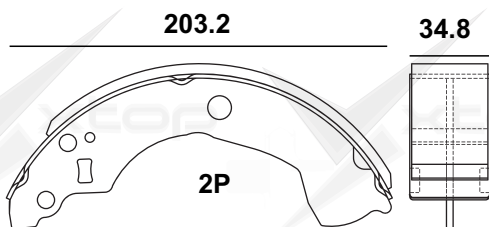
<b>XS0752</b>	<b>DELANTERA</b>	<b>TRASERA</b>	<b>APLICACIONES</b>
		<b>X</b>	FORD F-150 97-10, F-250 SUPER DUTY P/UP 97-99, EXPEDITION 97-02



<b>XS0760</b>	<b>DELANTERA</b>	<b>TRASERA</b>	<b>APLICACIONES</b>
		<b>X</b>	FORD ESCAPE 01-07; MERCURY MARINER CONVENIENCE 05-07



<b>XS0762</b>	<b>DELANTERA</b>	<b>TRASERA</b>	<b>APLICACIONES</b>
		<b>X</b>	NISSAN SENTRA B15 AUTOMATICO 00-06





<b>XS0764</b>	DELANTERA	TRASERA	<b>APLICACIONES</b> TOYOTA 4RUNNER 01-02, HIACE 15- , TUNDRA 00-06
		<b>X</b>	

249.2  
51.8  
2P

51.8  
1 IZQ  
1 DER

<b>XS0771</b>	DELANTERA	TRASERA	<b>APLICACIONES</b> GM AVALANCHE 2500 02-06, EXPRESS 2500/3500 03-06, SILVERADO 1500 99-03, SILVERADO 3500 01-08, SUBURBAN 2500 00-11, HUMMER H2 03-04, FORD E-250/E-350 ECONOLINE 99-04, E-450 ECONOLINE 03-04, F-250/350 SUPER DUTY P/UP 98-04, DODGE RAM 2500/3500 P/UP 01-05
		<b>X</b>	

205  
44  
4P

44

<b>XS0778</b>	DELANTERA	TRASERA	<b>APLICACIONES</b> MITSUBISHI LANCER DE 04-06, LANCER ES 04-07
		<b>X</b>	

180

31.8

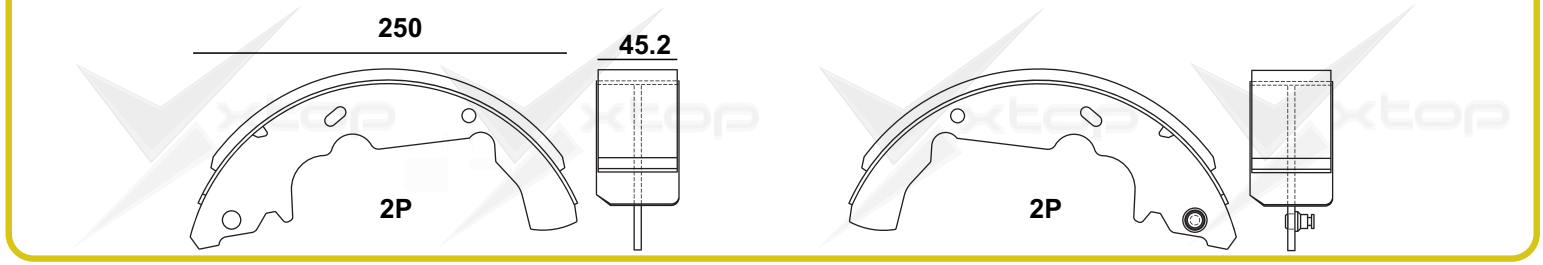
<b>XS0779</b>	DELANTERA	TRASERA	<b>APLICACIONES</b> NISSAN SENTRA B15 STANDARD 00-06
		<b>X</b>	

203.2  
34.8  
2P

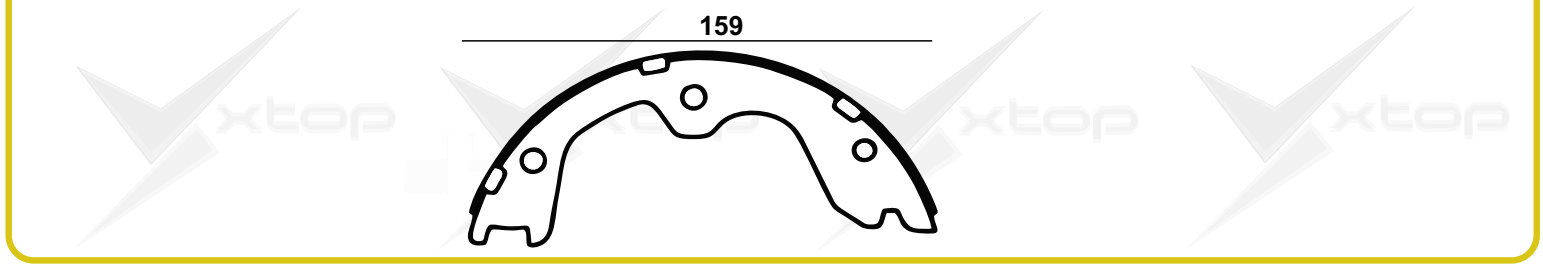
34.8  
2P



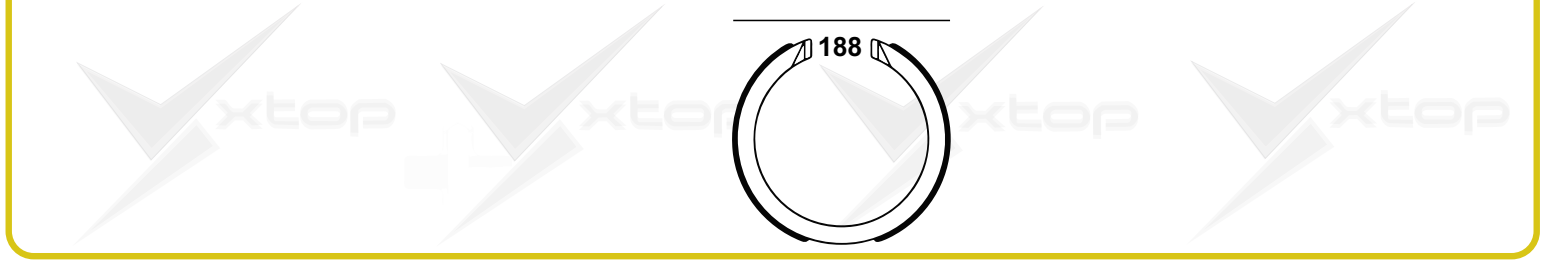
<b>XS0780</b>	<b>DELANTERA</b>	<b>TRASERA</b>	<b>APLICACIONES</b>
		<b>X</b>	GM EQUINOX 05-09, PONTIAC AZTEK FWD 01-05, TORRENT 05-06 TOYOTA SIENNA 00-05



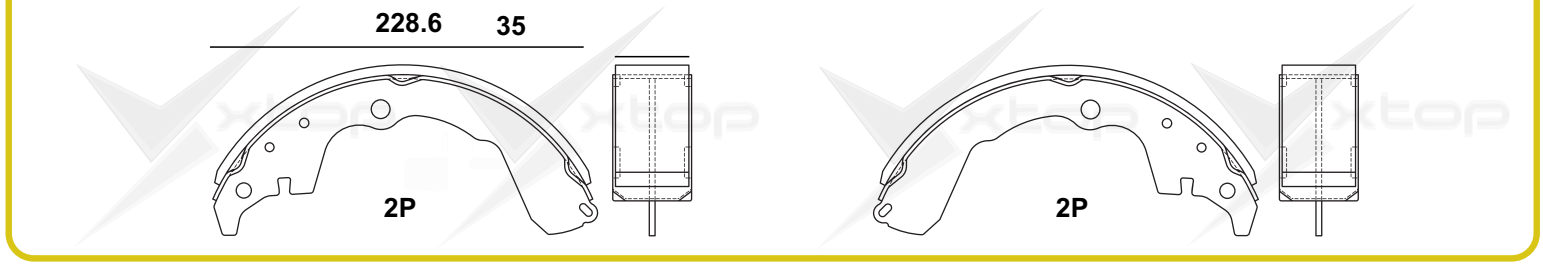
<b>XS0783</b>	<b>DELANTERA</b>	<b>TRASERA</b>	<b>APLICACIONES</b>
		<b>X</b>	NISSAN 350Z 03-07, 370 09->, ALTIMA 02->, ALTIMA SE-R 2006, MAXIMA 03- INFINITI Q45 02-06



<b>XS0784</b>	<b>DELANTERA</b>	<b>TRASERA</b>	<b>APLICACIONES</b>
		<b>X</b>	GM FRENO ESTACIONAMIENTO BLAZER S10 98-05, VENTURE 02-05 CORVETTE HEVY DUTY 99-11



<b>XS0785</b>	<b>DELANTERA</b>	<b>TRASERA</b>	<b>APLICACIONES</b>
		<b>X</b>	VW VIRTUS 1.6L 20-





<b>XS0792</b>	DELANTERA	TRASERA	APLICACIONES
		<b>X</b>	ISUZU ELF 450 05-09, ELF 500 08- , ELF 600 09-
	270		122.3

<b>XS0795</b>	DELANTERA	TRASERA	APLICACIONES
		<b>X</b>	GM CAVALIER Z-24 03-05, MALIBU/G5 COUPE CONVERTIBLE 07-10,HHR 06-09, PONTIAC G4 LS 05-06, SUNFIRE 02-05
	230.1		40.6
 x1 izq. x1 der.		 x2	

<b>XS0801</b>	DELANTERA	TRASERA	APLICACIONES
		<b>X</b>	TOYOTA COROLLA LE 03-08
	200		31.5
 2P		 1 IZQ 1 DER	

<b>XS0808</b>	DELANTERA	TRASERA	APLICACIONES
		<b>X</b>	HYUNDAI/DODGE VERNA 00-05, ACCENT 03-05, ELANTRA 02-06
	203.2		36.3
 2P		 1 IZQ 1 DER	



<b>XS0810</b>	DELANTERA	TRASERA	APLICACIONES
		<b>X</b>	VW VENTO 14-16, CHRYSLER PT CRUISER 04-09

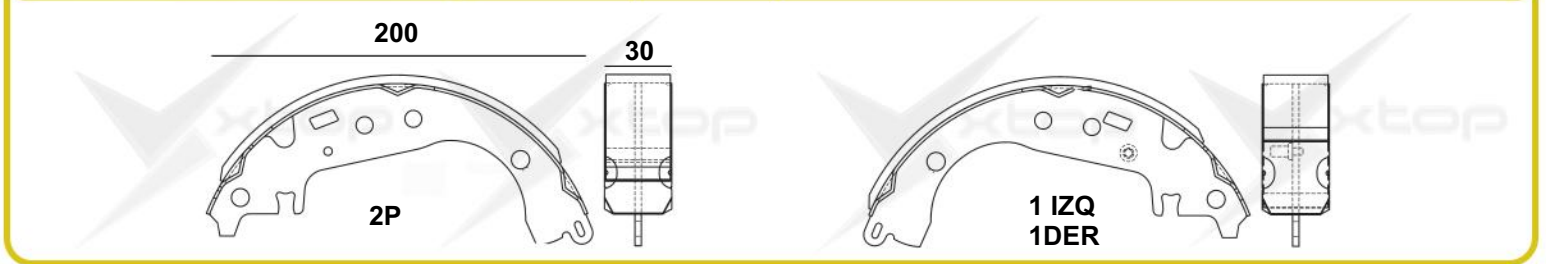
<b>XS0812</b>	DELANTERA	TRASERA	APLICACIONES
		<b>X</b>	CHRYSLER/DODGE CARAVAN/TOWN & COUNTRY 01-07, VOYAGER 01-03

<b>XS0814</b>	DELANTERA	TRASERA	APLICACIONES
		<b>X</b>	GM AVEO/G3 07-17, SPARK 11-16, BEAT 17-, SONIC 11-16

<b>XS0815</b>	DELANTERA	TRASERA	APLICACIONES
		<b>X</b>	GM COLORADO 04-09, CANYON 04-09, PICK UP 04-09



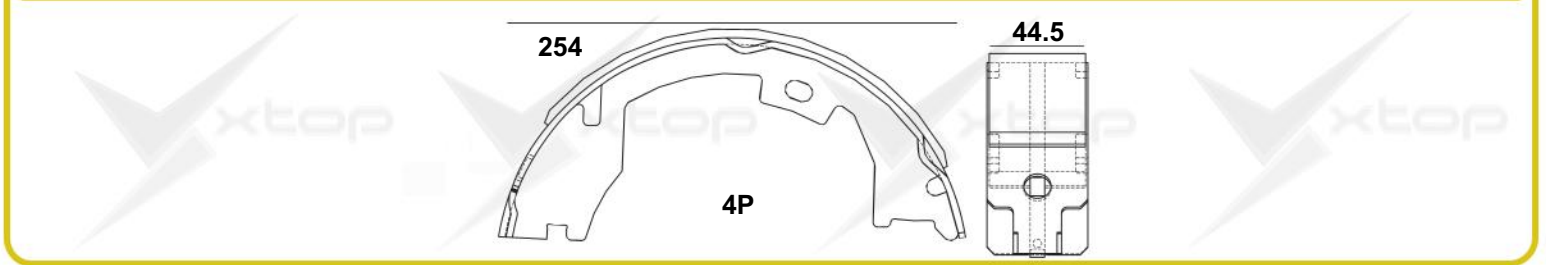
<b>XS0832</b>	<b>DELANTERA</b>	<b>TRASERA</b>	<b>APLICACIONES</b>
		<b>X</b>	TOYOTA COROLLA LE 03-08, PRIUS 04-08, MERCURY MARINER 05-07 MAZDA TRIBUTE 01-08 YARIS 00-05



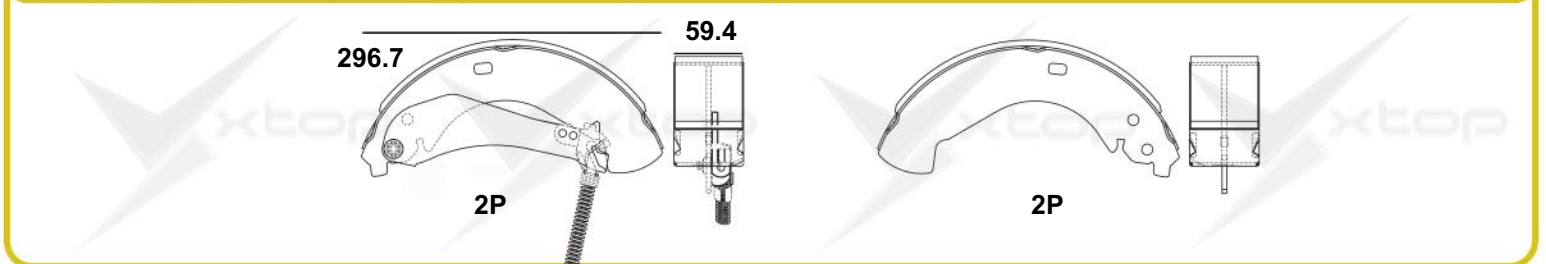
<b>XS0853</b>	<b>DELANTERA</b>	<b>TRASERA</b>	<b>APLICACIONES</b>
		<b>X</b>	DODGE DAKOTA 05-06




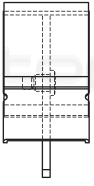

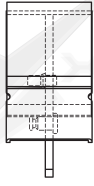
<b>XS0854</b>	<b>DELANTERA</b>	<b>TRASERA</b>	<b>APLICACIONES</b>
		<b>X</b>	DODGE RAM 1500 2500 3500 06-12, FORD SUPER DUTY F250 F350 F450 F550 05-12

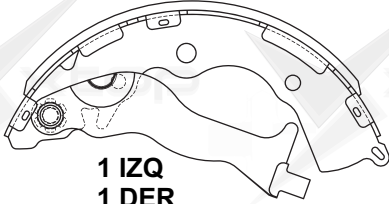

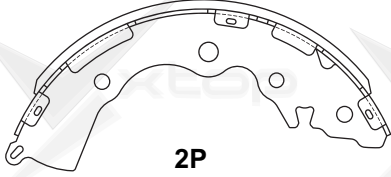



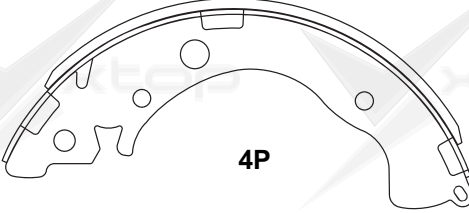
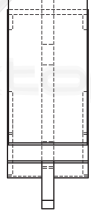
<b>XS0855</b>	<b>DELANTERA</b>	<b>TRASERA</b>	<b>APLICACIONES</b>
		<b>X</b>	GM AVANLANCHE 2500 03-08, C1500 05-07, K1500 05, SIERRA 1500 05-09 SILVERADO 1500 05-09





XS0871	DELANTERA	TRASERA	APLICACIONES
		<b>X</b>	TOYOTA HIACE 04-15, 2.8L/3.5L 19- , HILUX 84-93, 09-16 TACOMA TRD Sport 4X2 y 4X4 05-17
254	50.5		
			
<b>x1 izq. x1 der.</b>		<b>x1 izq. x1 der.</b>	

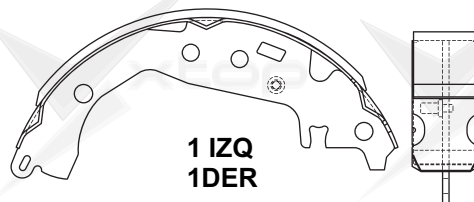
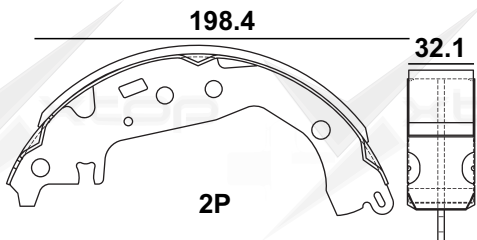
XS0910	DELANTERA	TRASERA	APLICACIONES
		<b>X</b>	DODGE GRAND i10 15-16, ATTITUDE 06-11, ACCENT 03-06
202.7	30		
			
<b>1 IZQ 1 DER</b>		<b>2P</b>	

XS0913	DELANTERA	TRASERA	APLICACIONES
		<b>X</b>	HONDA CIVIC LX SEDÁN 06-13, FIT 09-10
200.4	31		
			
	<b>4P</b>		

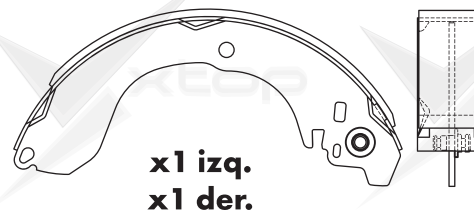
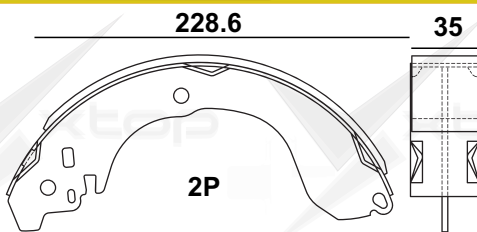
XS0916	DELANTERA	TRASERA	APLICACIONES
		<b>X</b>	NISSAN FRENO ESTACIONAMIENTO SENTRA SE SL 2.5-3.5L 07-12, ROGUE 08-12, JUKE /LEAF 11-12, TOYOTA MATRIX 09-11, RAV4 06-15
165	32.2		
			



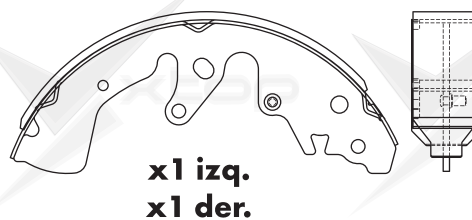
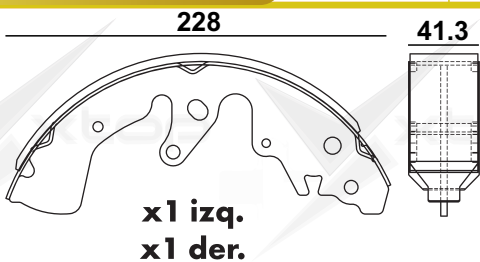
<b>XS0917</b>	<b>DELANTERA</b>	<b>TRASERA</b>	<b>APLICACIONES</b>
		<b>X</b>	TOYOTA YARIS 04-16, PRIUS 09



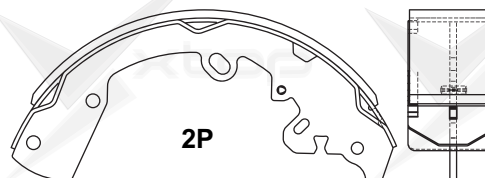
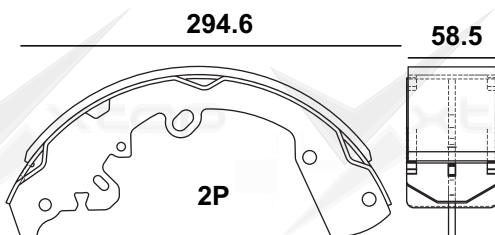
<b>XS0919</b>	<b>DELANTERA</b>	<b>TRASERA</b>	<b>APLICACIONES</b>
		<b>X</b>	NISSAN SENTRA 07-12, DODGE AVENGER/CALIBER 07-11, SUBARU FORESTER 99-06, IMPREZA 94-06, LEGACY 96-99



<b>XS0921</b>	<b>DELANTERA</b>	<b>TRASERA</b>	<b>APLICACIONES</b>
		<b>X</b>	SUZUKI GRAND VITARA L4 09-10, GRAND VITARA V6 06-08, GRAND VITARA V6 4X4 07-10

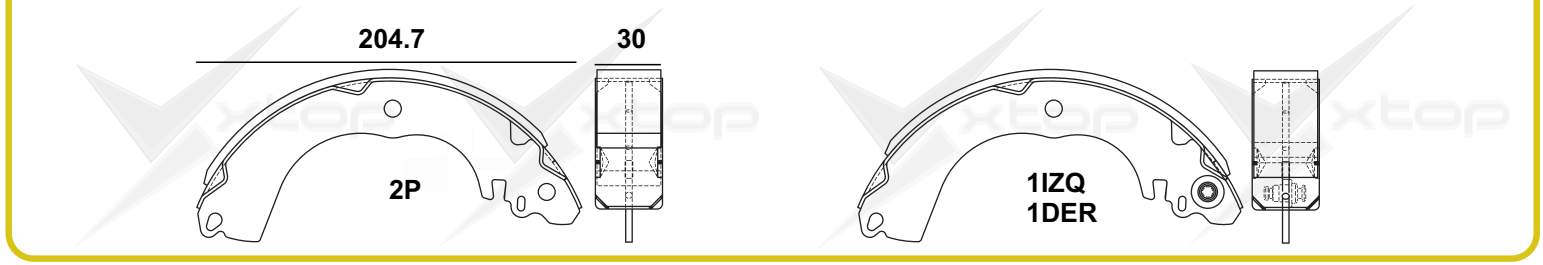


<b>XS0922</b>	<b>DELANTERA</b>	<b>TRASERA</b>	<b>APLICACIONES</b>
		<b>X</b>	DODGE DAKOTA 06-12, MITSUBISHI RAIDER 07-09





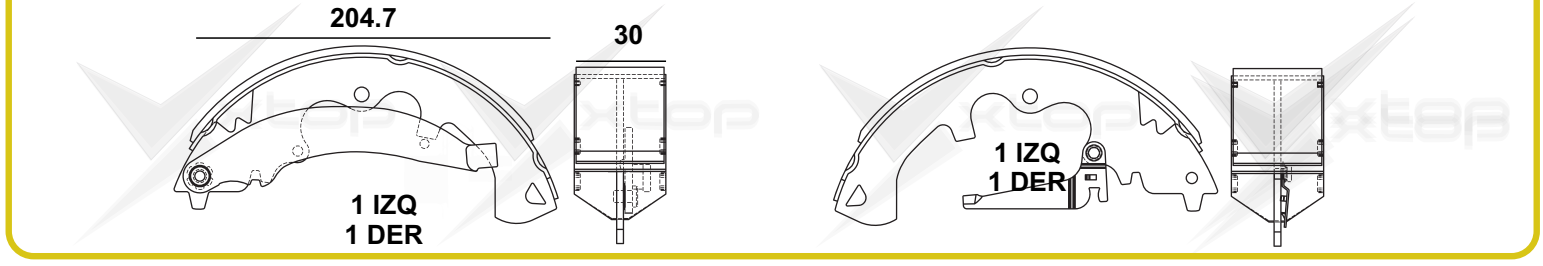
<b>XS0924</b>	<b>DELANTERA</b>	<b>TRASERA</b>	<b>APLICACIONES</b>
		<b>X</b>	NISSAN TIDA 06-17, MITSUBISHI LANCER 08-14, DODGE ATTITUDE 15-



<b>XS0928</b>	<b>DELANTERA</b>	<b>TRASERA</b>	<b>APLICACIONES</b>
		<b>X</b>	HONDA CRV L4 2.4L/V6 3.5L 07-12, ACURA RDX 2.3L 07-12, 3.5L 13-18 (FRENO DE MANO/ESTACIONAMIENTO)



<b>XS0936</b>	<b>DELANTERA</b>	<b>TRASERA</b>	<b>APLICACIONES</b>
		<b>X</b>	FORD ESCAPE 08-12; MERCURY MARINER 07-11



<b>XS0947</b>	<b>DELANTERA</b>	<b>TRASERA</b>	<b>APLICACIONES</b>
		<b>X</b>	DODGE DURANGO 07-10





<b>XS0952</b>	DELANTERA	TRASERA	APLICACIONES
		<b>X</b>	FORD ECONOLINE VAN E150 E250 E350 E450 08-12

209

52.3

<b>XS0960</b>	DELANTERA	TRASERA	APLICACIONES
		<b>X</b>	GM SILVERADO 1500 09-13, SILVERADO 2500/CHEYENNE 09-13 GMC SIERRA 1500 09-13

293.4

2P

62

1 IZQ  
1 DER

<b>XS0984</b>	DELANTERA	TRASERA	APLICACIONES
		<b>X</b>	FORD FIESTA 11-17, FIGO 16-17, IKON 13-15

200

1 IZQ  
1 DER

31.8

2P

<b>XS0986</b>	DELANTERA	TRASERA	APLICACIONES
		<b>X</b>	DODGE DURANGO 11-13, JEEP GRAND CHEROKEE 11-13

196

31.9



XS0991	DELANTERA	TRASERA	APLICACIONES
		<b>X</b>	MAZDA 2 11-17, TOYOTA YARIS 17-
200	31.8		
<p>1 IZQ 1 DER</p>		<p>2P</p>	<p>←W→</p>

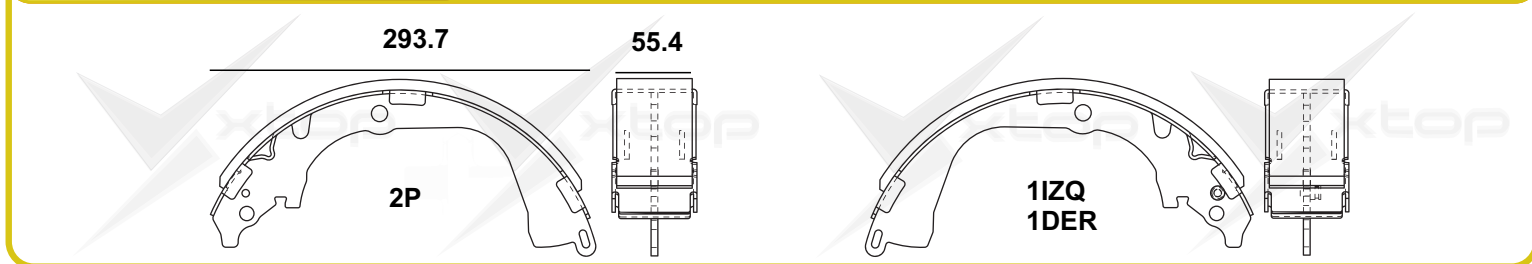
XS0993	DELANTERA	TRASERA	APLICACIONES
		<b>X</b>	FORD ECOSPORT 2.0L 04-12, FIESTA 1.3L 98-01, 1.4L 99-00, 1.6L 01-10, KA 1.6L 01-08 COURIER 1.6L 01-05
210.7	37		
<p>1 IZQ 1 DER</p>		<p>1 IZQ 1 DER</p>	

XS0994	DELANTERA	TRASERA	APLICACIONES
		<b>X</b>	GM CHEVY/C2/C3 94-12, CORSA/MONZA 94-11, TORNADO 07
200	28		
<p>1 IZQ 1 DER</p>		<p>1 IZQ 1 DER</p>	

XS0995	DELANTERA	TRASERA	APLICACIONES
		<b>X</b>	GM MATIZ 04-13 (PONTIAC G2 04-09)
184.4	30		
<p>1 IZQ 1 DER</p>		<p>1 IZQ 1 DER</p>	<p>←W→</p>



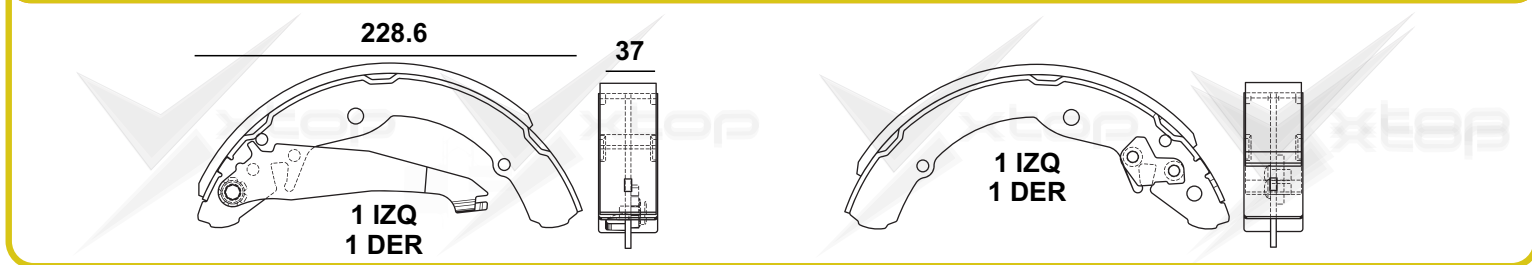
XS0996	DELANTERA	TRASERA	APLICACIONES
		<b>X</b>	VW AMAROK 10-



XS0997	DELANTERA	TRASERA	APLICACIONES
		<b>X</b>	TOYOTA AVANZA 07-12



XS0999	DELANTERA	TRASERA	APLICACIONES
		<b>X</b>	VW SAVIERO 10-15, VAN 02-09, GOL 12-16, JETTA CITY/EUROPA 08-10 JETTA CLASICO 08-15



XS1000	DELANTERA	TRASERA	APLICACIONES
		<b>X</b>	FORD FIESTA 01-09, IKON 01-09, KA 01-09 (S953-2209, 1X81-





<b>XS1003</b>	DELANTERA	TRASERA	APLICACIONES
		<b>X</b>	DODGE H-100 VAN 10-13

264

53.7

<b>XS1004</b>	DELANTERA	TRASERA	APLICACIONES
		<b>X</b>	FORD FOCUS 12-15

204.1

11ZQ  
1DER

41.5

11ZQ  
1DER

<b>XS1011</b>	DELANTERA	TRASERA	APLICACIONES
		<b>X</b>	GM TRAX 13-, CAVALIER 1.5L 18-

228.6

2P

37

1 IZQ  
1 DER

<b>XS1012</b>	DELANTERA	TRASERA	APLICACIONES
		<b>X</b>	TOYOTA HILUX 06-12 (FT051) C/PALANCA

295.3

2P

61.5

1 IZQ  
1 DER



XS1016		DELANTERA	TRASERA	APLICACIONES
			<b>X</b>	MITSUBISHI L200 08-, CHEVROLET S10 16-18, COLORADO 13-15

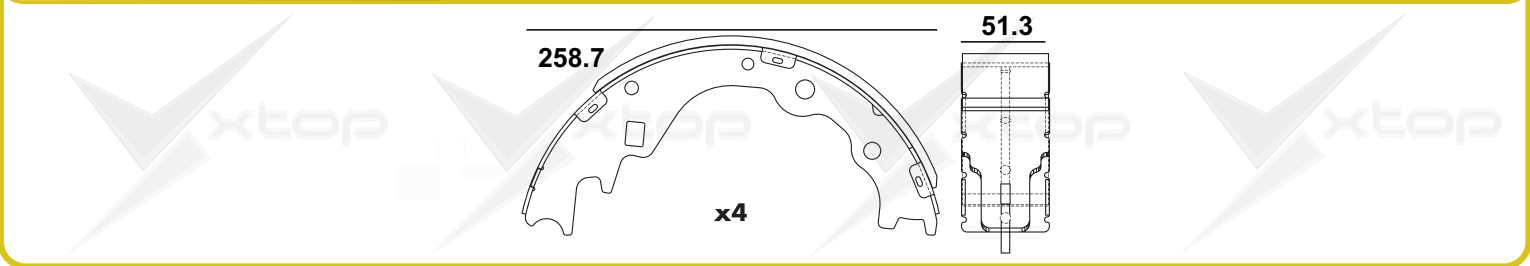
XS1020		DELANTERA	TRASERA	APLICACIONES
			<b>X</b>	NISSAN MARCH 11-, VERSA 11-, NOTE 14-

XS1021		DELANTERA	TRASERA	APLICACIONES
			<b>X</b>	DODGE ATTITUDE GLS 12-15, HYUNDAI GRAND i10 15-

XS1025		DELANTERA	TRASERA	APLICACIONES
			<b>X</b>	VW VIRTUS 1.6L 20-



<b>XS1026</b>	DELANTERA	TRASERA	APLICACIONES
		<b>X</b>	DODGE H-100 DIESEL 06-13



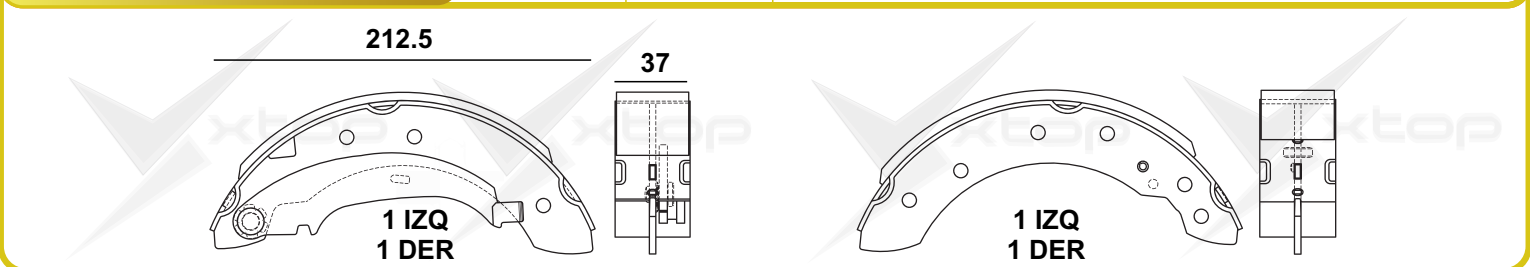
<b>XS1027</b>	DELANTERA	TRASERA	APLICACIONES
		<b>X</b>	FIAT PALIO SEDÁN 04-08, RAM 700 15-



<b>XS1028</b>	DELANTERA	TRASERA	APLICACIONES
		<b>X</b>	RENAULT KANGOO 04-14



<b>XS1029</b>	DELANTERA	TRASERA	APLICACIONES
		<b>X</b>	NISSAN PLATINA 02-10, RENAULT CLIO 01-110, SANDERO/STEPWAY 10-16 DODGE VISION 15-19 FIAT UNO 14-15





XS1030	DELANTERA	TRASERA	APLICACIONES
		<b>X</b>	TOYOTA YARIS 04-05 C/PATAS

XS1032	DELANTERA	TRASERA	APLICACIONES
		<b>X</b>	PEUGEOT GRAND RAID 07-12, PARTNER MAXI 04-

XS1033	DELANTERA	TRASERA	APLICACIONES
		<b>X</b>	NISSAN APRIO 08-10

XS1034	DELANTERA	TRASERA	APLICACIONES
		<b>X</b>	RENAULT SCALA 10-15

182.4  
36  
2P

182.4  
36  
1 IZQ  
1 DER



**XS1037**

DELANTERA TRASERA

**X**

APLICACIONES

FORD IKON SEDÁN 12-15, IKON HB 12-15

159



31.9



**XS1039**

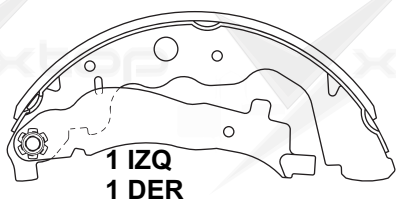
DELANTERA TRASERA

**X**

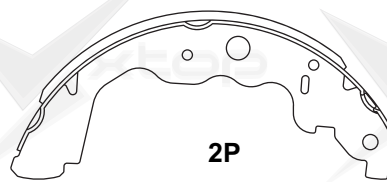
APLICACIONES

RENAULT DUSTER 2.0L 13-19, CAPTUR 2.0L 18-19, OROCH 2.0L 18-19

227.6



39.6



**XS1044**

DELANTERA TRASERA

**X**

APLICACIONES

DODGE i10 12-15

156



30.8



**XS1046**

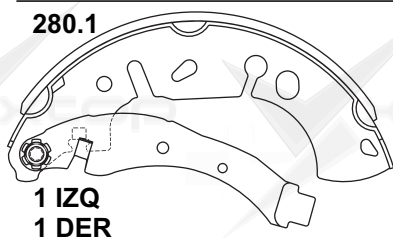
DELANTERA TRASERA

**X**

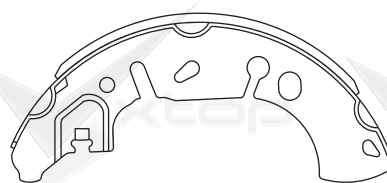
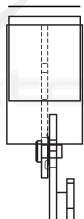
APLICACIONES

NISSAN SENTRA 14-18

280.1



42.8



1 IZQ  
1 DER



XS1049	DELANTERA	TRASERA	APLICACIONES
		<b>X</b>	FORD RANGER 2.2L DIESEL/2.5L GASOLINA 13-

XS1054	DELANTERA	TRASERA	APLICACIONES
		<b>X</b>	FORD ECOSPORT 2.0L 13-17

XS1059	DELANTERA	TRASERA	APLICACIONES
		<b>X</b>	MITSUBISHI MIRAGE 15-

XS1070	DELANTERA	TRASERA	APLICACIONES
		<b>X</b>	TOYOTA YARIS 13- C/PALANCA



XS1072	DELANTERA	TRASERA	APLICACIONES
		<b>X</b>	RENAULT SANDERO/STEPWAY 10-16, LOGAN 15-18, NISSAN APRIO 08-10, FIAT UNO 16- PEUGEOT 301 13-16

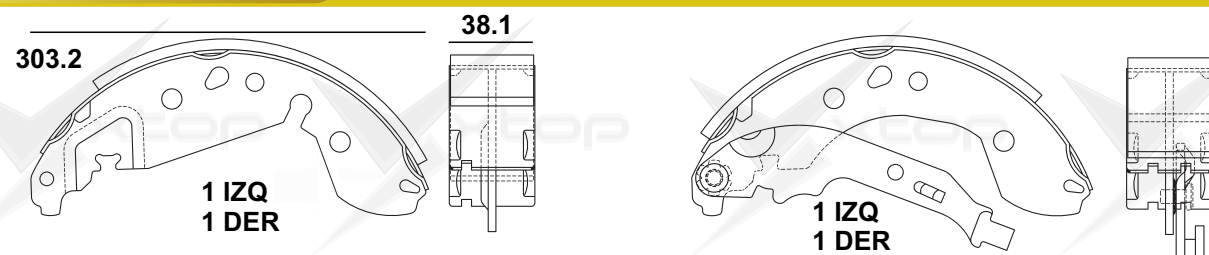
XS1073	DELANTERA	TRASERA	APLICACIONES
		<b>X</b>	FORD FIESTA IKON 1.6L 15-17



XS1079	DELANTERA	TRASERA	APLICACIONES
		<b>X</b>	SUZUKI SWIFT 07-16



XS1085	DELANTERA	TRASERA	APLICACIONES
		<b>X</b>	RENAULT LOGAN 15-18





<b>XS1090</b>	DELANTERA	TRASERA	APLICACIONES
---------------	-----------	---------	--------------

**X**

CHEVROLET AVEO 19-



<b>XS1096</b>	DELANTERA	TRASERA	APLICACIONES
---------------	-----------	---------	--------------

**X**

NISSAN NP300/NP300 FRONTIER 16-



<b>XS1097</b>	DELANTERA	TRASERA	APLICACIONES
---------------	-----------	---------	--------------

**X**

SUZUKI SWIFT 07-16



<b>XS1101</b>	DELANTERA	TRASERA	APLICACIONES
---------------	-----------	---------	--------------

**X**

HYUNDAI CRETA 1.6L 17-





XS1103	DELANTERA	TRASERA	APLICACIONES
		<b>X</b>	PEUGEOT 301 13-17

XS1105	DELANTERA	TRASERA	APLICACIONES
		<b>X</b>	TOYOTA HILUX 2.7L 16- CABINA SENCILLA Y DOBLE

XS1107	DELANTERA	TRASERA	APLICACIONES
		<b>X</b>	DODGE NEON 17-

XS1110	DELANTERA	TRASERA	APLICACIONES
		<b>X</b>	HDODGE RAM 700 12- , VISION 15-19, FIAT MOBI 17- , ESTRADA 07-12



<b>XS7400</b>	DELANTERA	TRASERA	APLICACIONES
		<b>X</b>	SUZUKI CIAZ 1.4L 16- , ERTIGA 1.5L 19-
	176	27.3	
			

<b>XS91510</b>	DELANTERA	TRASERA	APLICACIONES
		<b>X</b>	CHEVY PICK UP 99-05
	178	46.1	
			